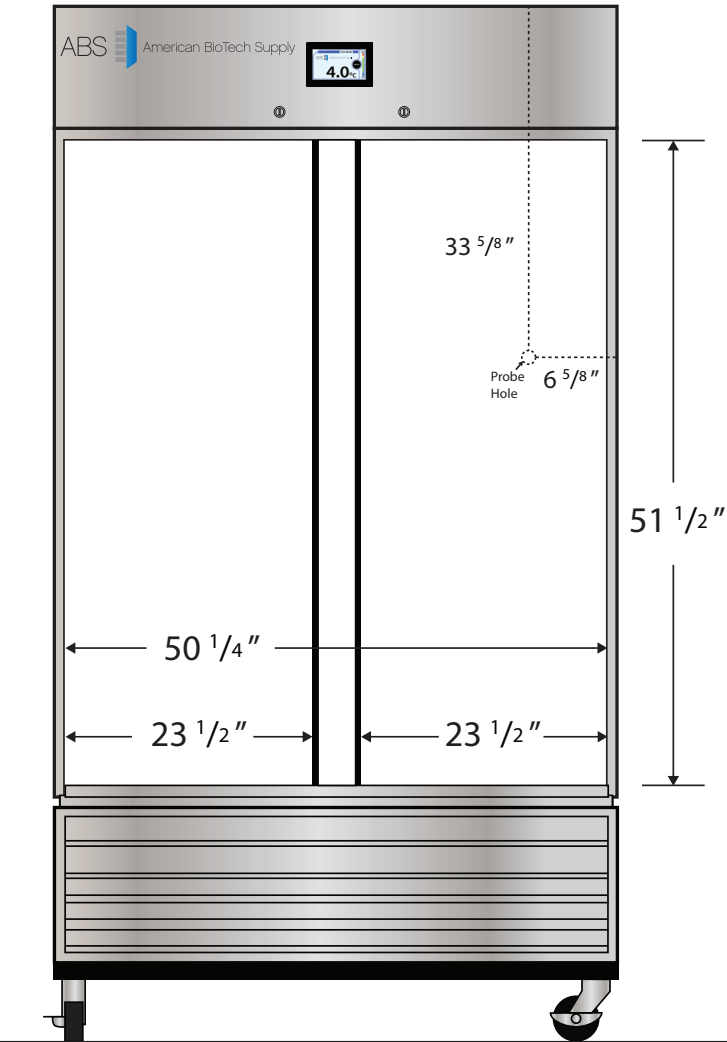
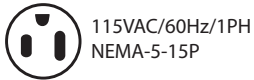
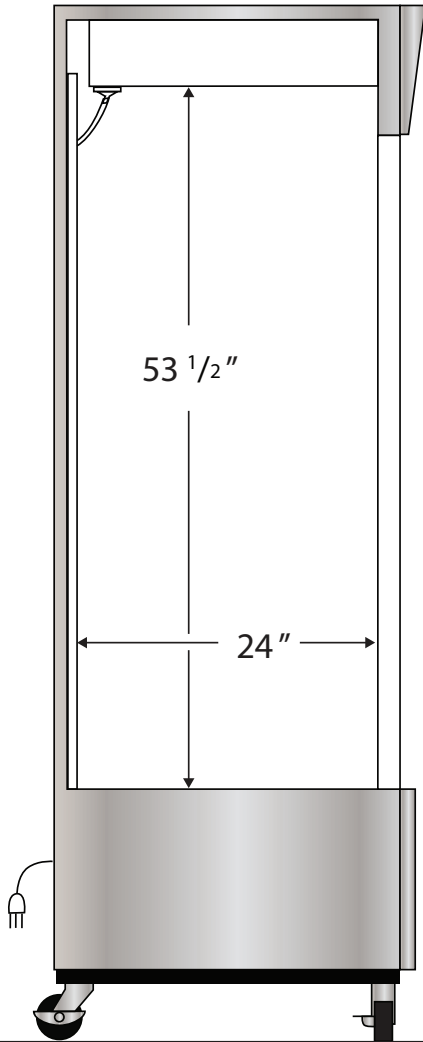


CUTSHEET

Front View



Side View



Cu. Ft	Defrost	Door	Int Door	Shelves	Interior Dim.			Refrigerant	H.P.	Amps	Weight
					W"	D"	H"				
49	Cycle	2 Solid	0	6 Adj	50 1/4	24	53 1/2	R290	1/2	5.4	415 lbs.

Note: Interior dimensions are estimates and subject to change without notice