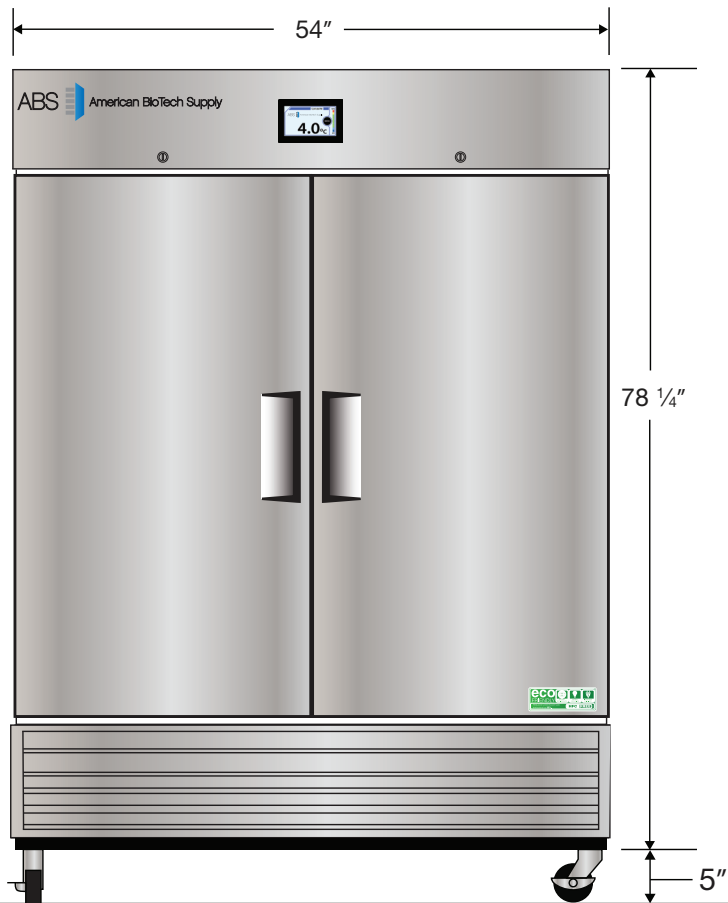
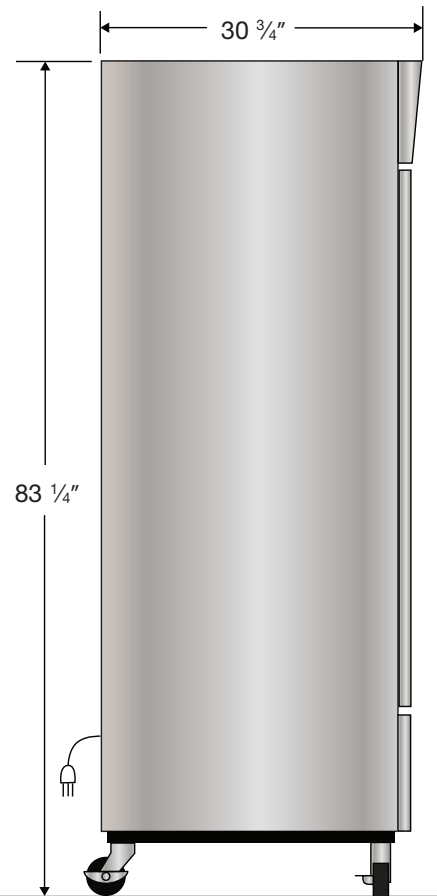




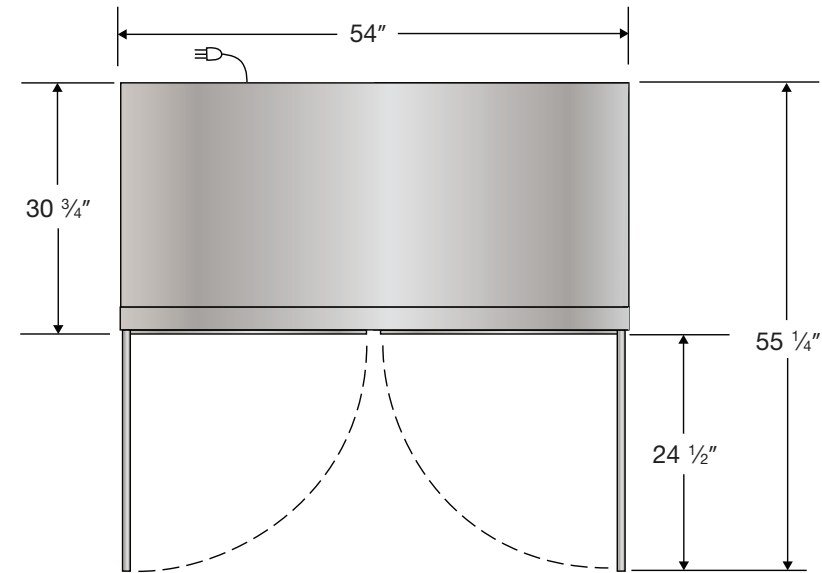
Front View



Side View



Top View

115VAC/60Hz/1PH
NEMA-5-15P

| Cu. Ft | Defrost | Door | Int Door | Shelves | W" | D" | H" | Refrigerant | H.P. | Amps | Weight |
|--------|---------|---------|----------|---------|----|--------|--------|-------------|------|------|----------|
| 49 | Cycle | 2 Solid | 0 | 6 Adj. | 54 | 30 3/4 | 83 1/4 | R290 | 1/2 | 5.4 | 415 lbs. |