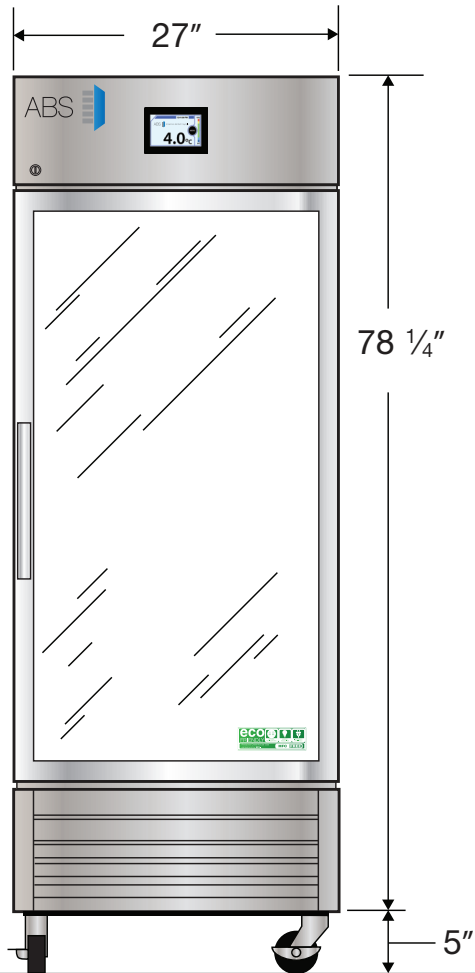
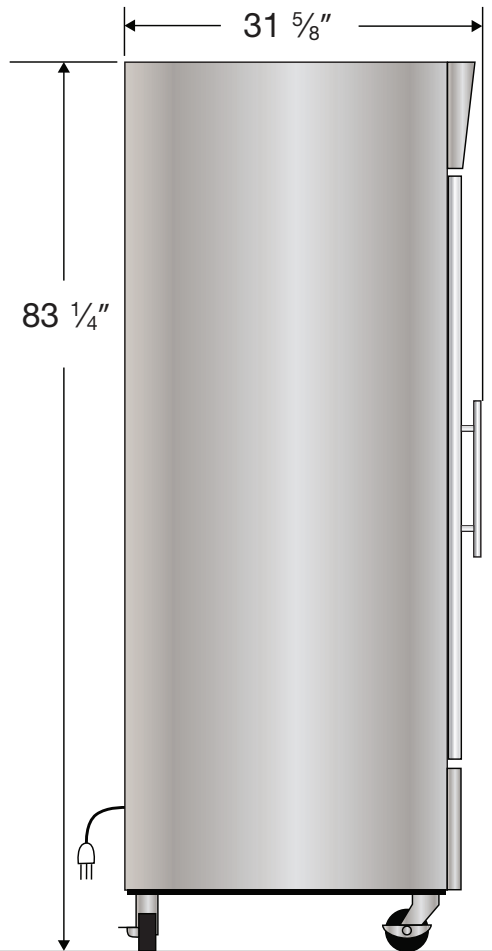


**Exterior  
ABT-HCPP-23G-TS**

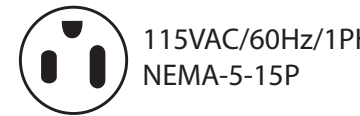
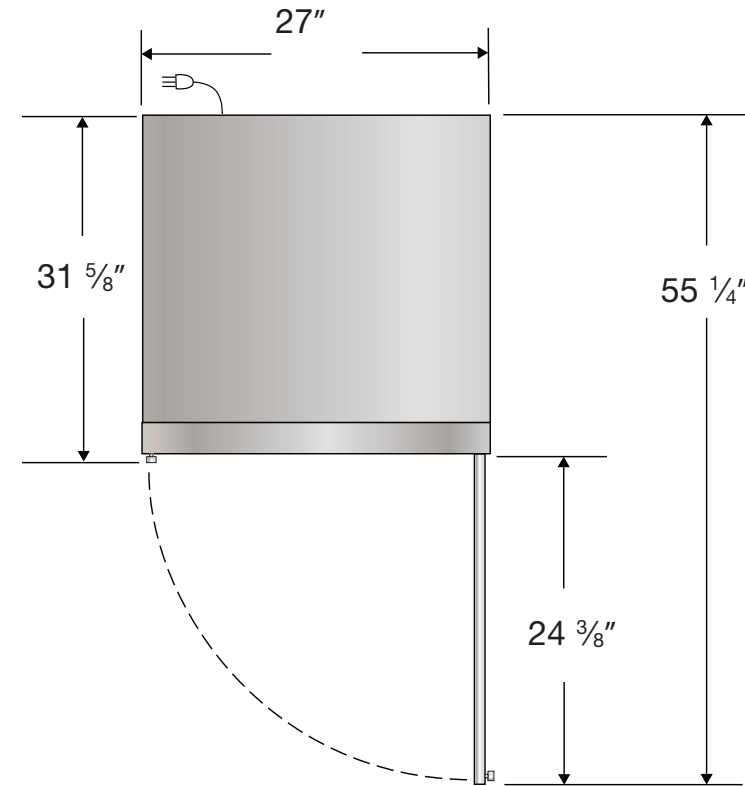
**Front View**



**Side View**



**Top View**



Cu. Ft	Defrost	Door	Int Door	Shelves	W"	D"	H"	Refrigerant	H.P.	Amps	Weight
23	Cycle	1 Glass	0	3 Adj	27	31 5/8	83 1/4	R290	1/4	2.2	290 lbs.