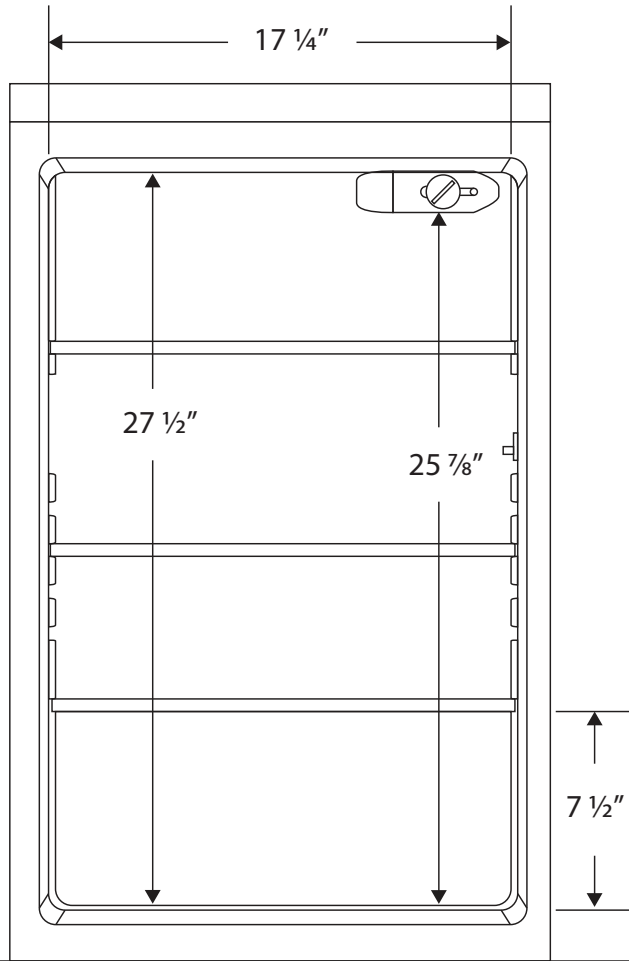
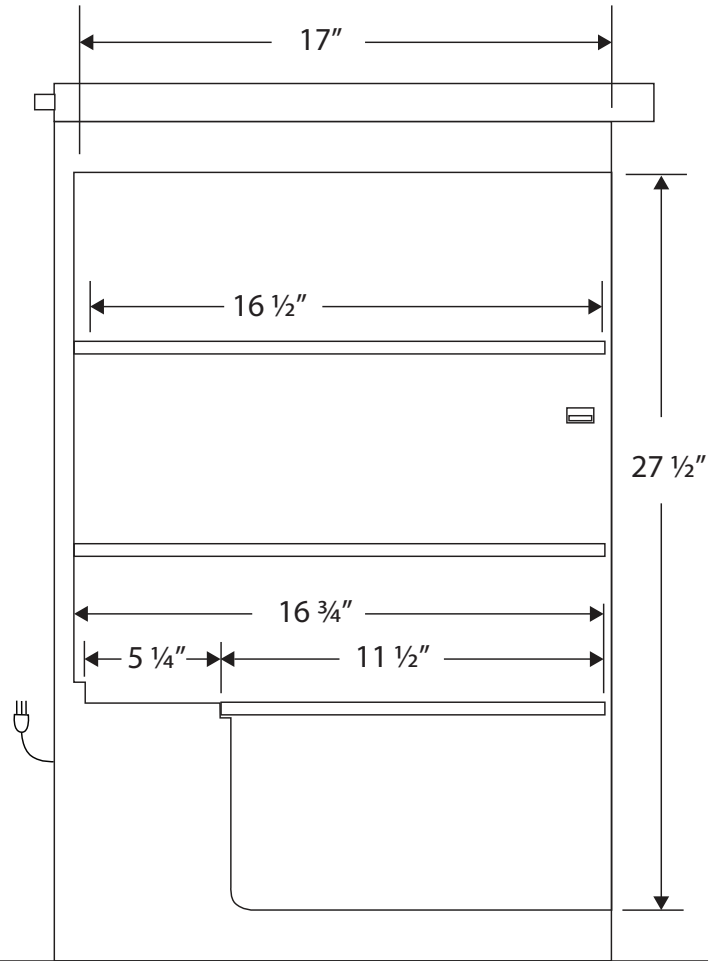


Front View



Side View



115VAC/60Hz/1PH
NEMA-5-15P

Cu. Ft	Defrost	Door	Int Door	Shelves	Interior Dim.			Refrigerant	H.P.	Amps	Weight
					W"	D"	H"				
5	Cycle	1 Solid	0	2 Adj/1 Fixed	17 1/4	17	27 1/2	R600a	1/7	.90	69 lbs.

Note: Interior dimensions are estimates and subject to change without notice