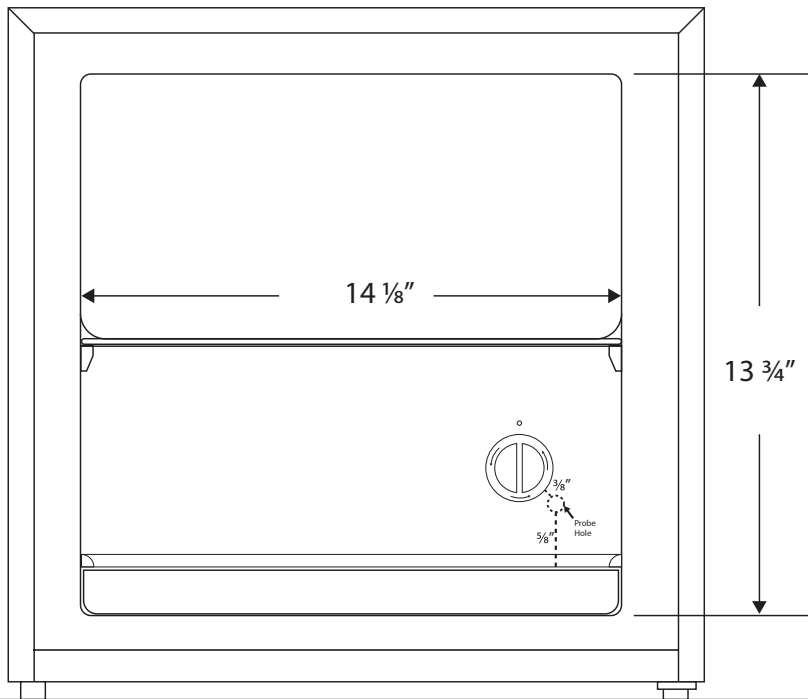
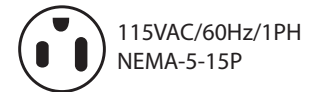
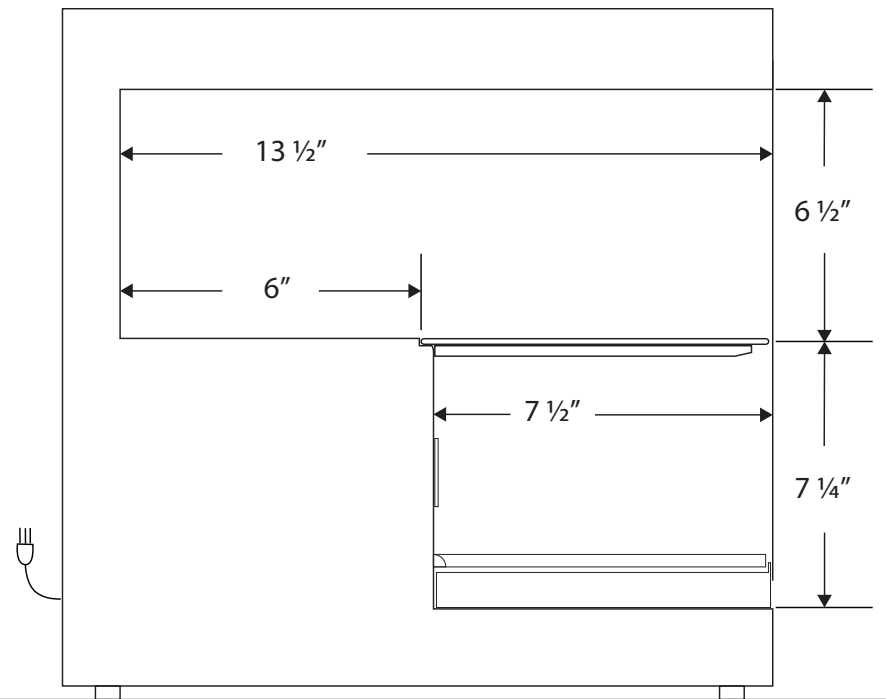


CUTSHEET

Front View



Side View



Cu. Ft	Defrost	Door	Int Door	Shelves	Interior Dim.			Refrigerant	H.P.	Amps	Weight
					W"	D"	H"				
1.5	Manual	1 Solid	0	1 Fixed	14 1/8	13 1/2	13 3/4	R600a	1/10	1.1	46 lbs.

Note: Interior dimensions are estimates and subject to change without notice