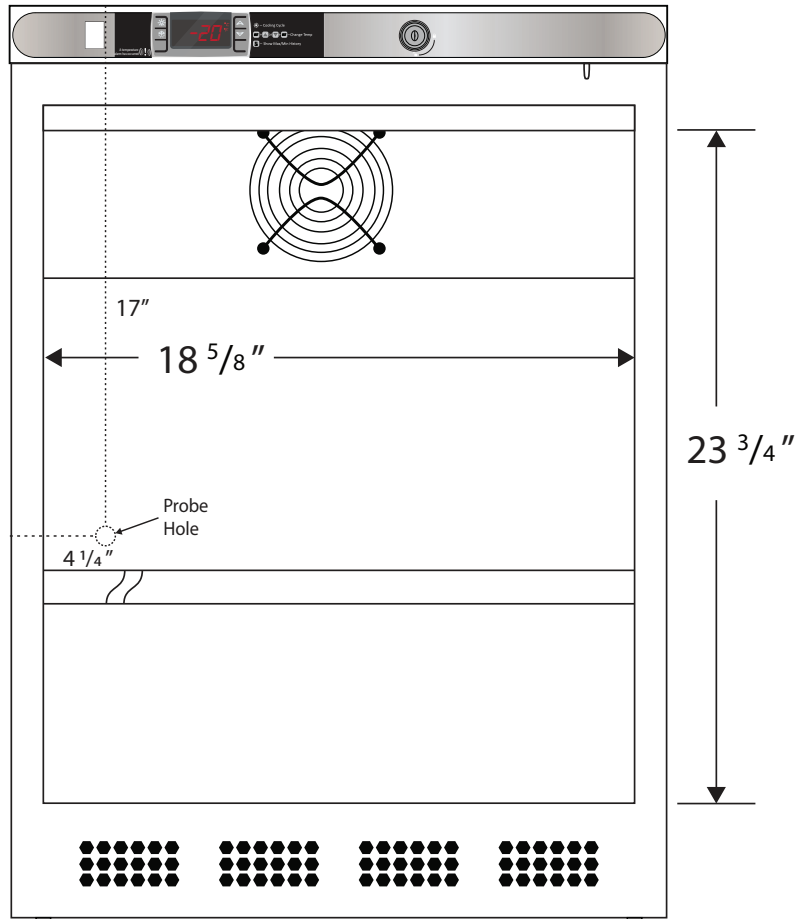
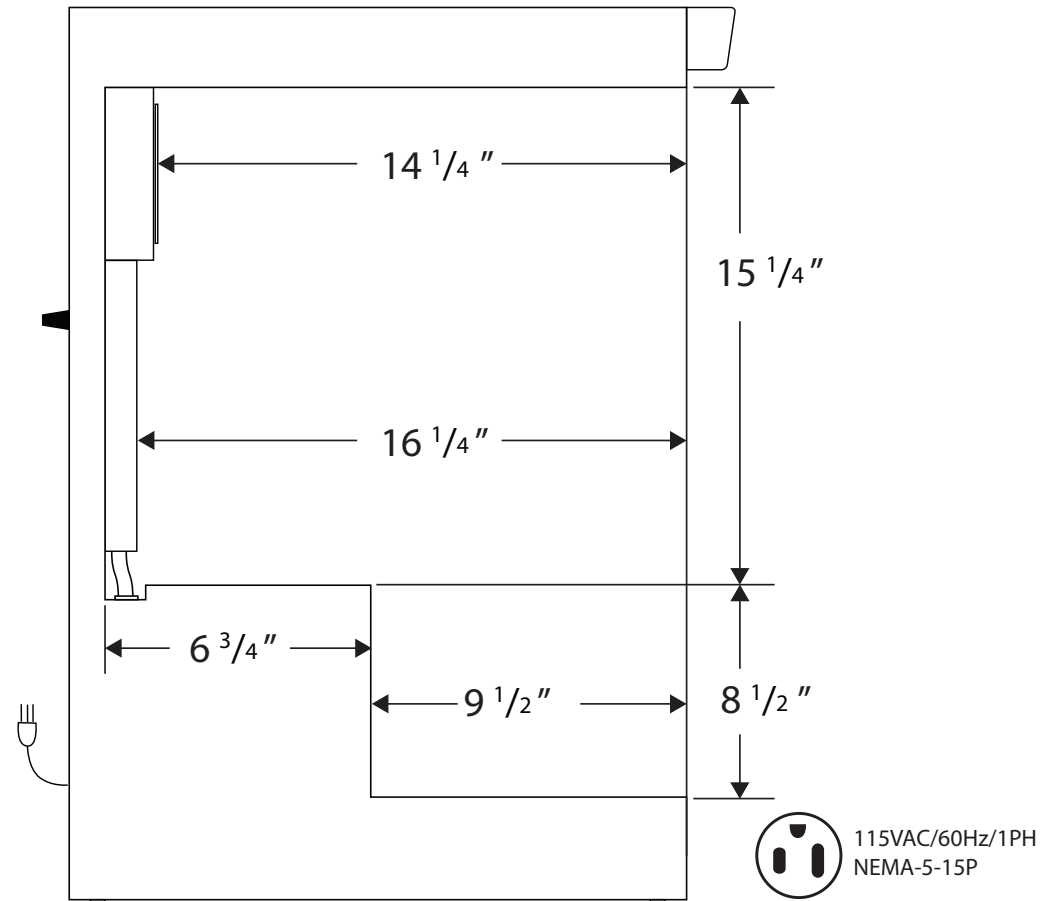


CUTSHEET

Front View



Side View



Cu. Ft	Defrost	Door	Int Door	Shelves	Interior Dim.			Refrigerant	H.P.	Amps	Weight
					W"	D"	H"				
4.2	Auto	1 Solid (Reversible)	0	3 Adj	18 5/8	16 1/4	23 3/4	R290	1/8	1.8	100 lbs.

Note: Interior dimensions are estimates and subject to change without notice