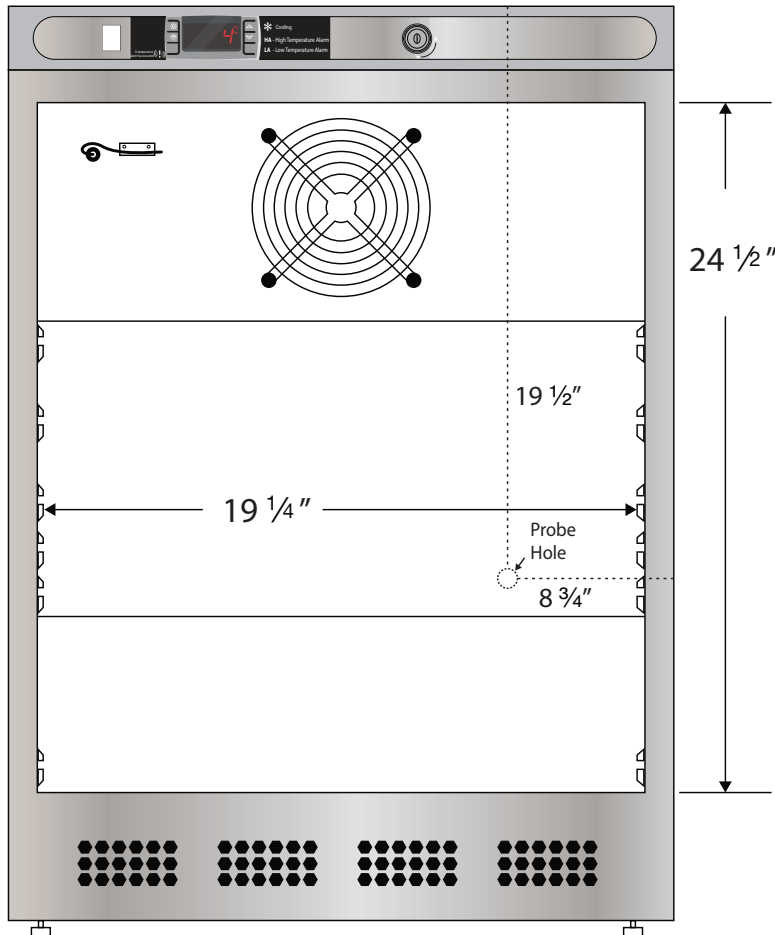
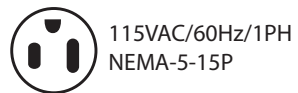
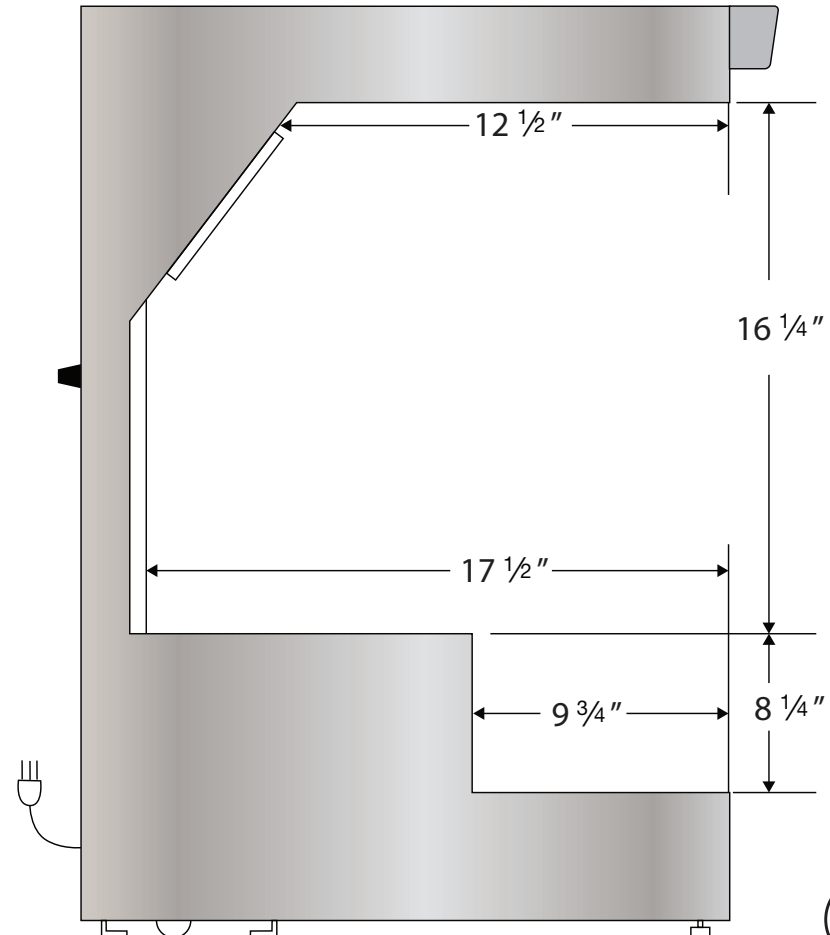


CUTSHEET

Front View



Side View



| Cu. Ft | Defrost | Door                    | Int Door | Shelves       | Interior Dim. |        |        | Refrigerant | H.P. | Amps | Weight   |
|--------|---------|-------------------------|----------|---------------|---------------|--------|--------|-------------|------|------|----------|
|        |         |                         |          |               | W"            | D"     | H"     |             |      |      |          |
| 4.5    | Cycle   | 1 Solid<br>(Reversible) | 0        | 2 Adj/1 Fixed | 19 1/4        | 17 1/2 | 24 1/2 | R600a       | 1/8  | 1.74 | 100 lbs. |

Note: Interior dimensions are estimates and subject to change without notice