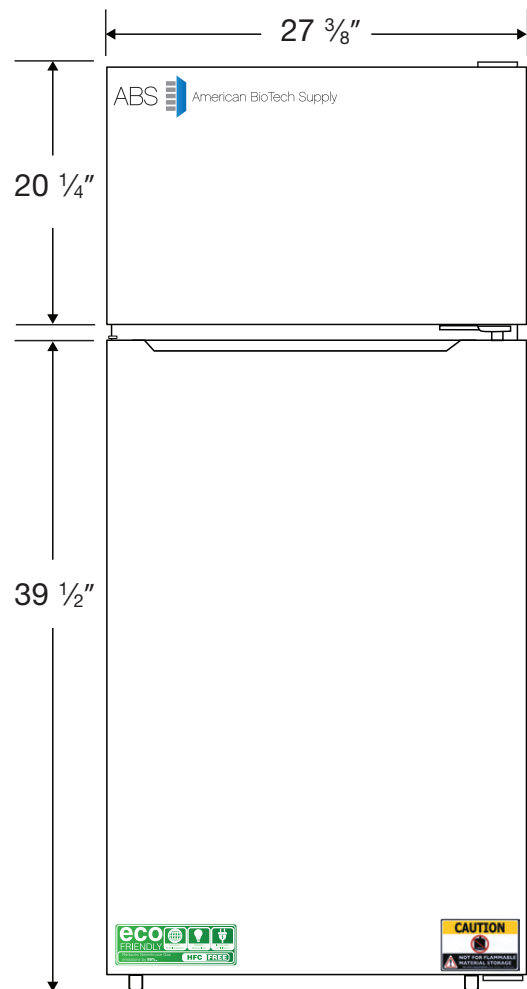
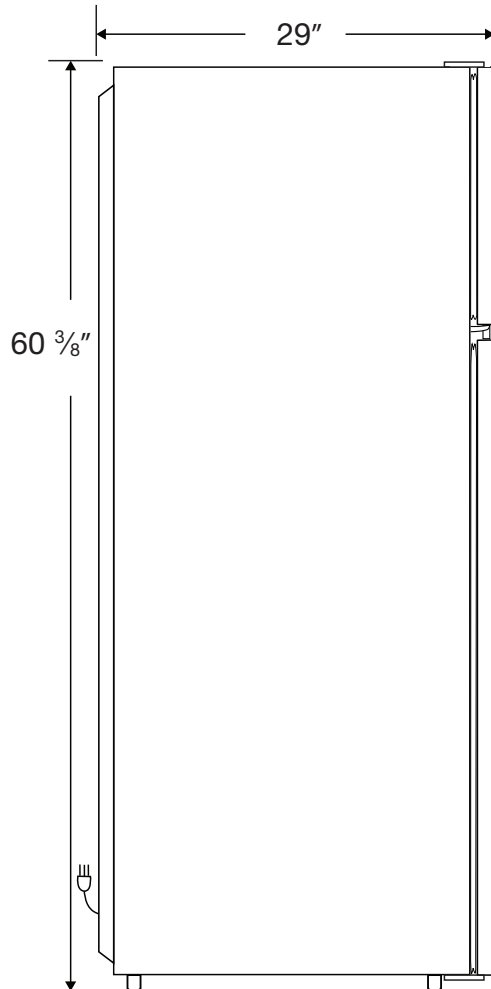


CUTSHEET

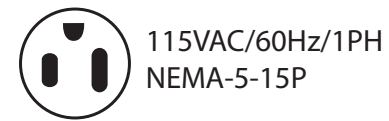
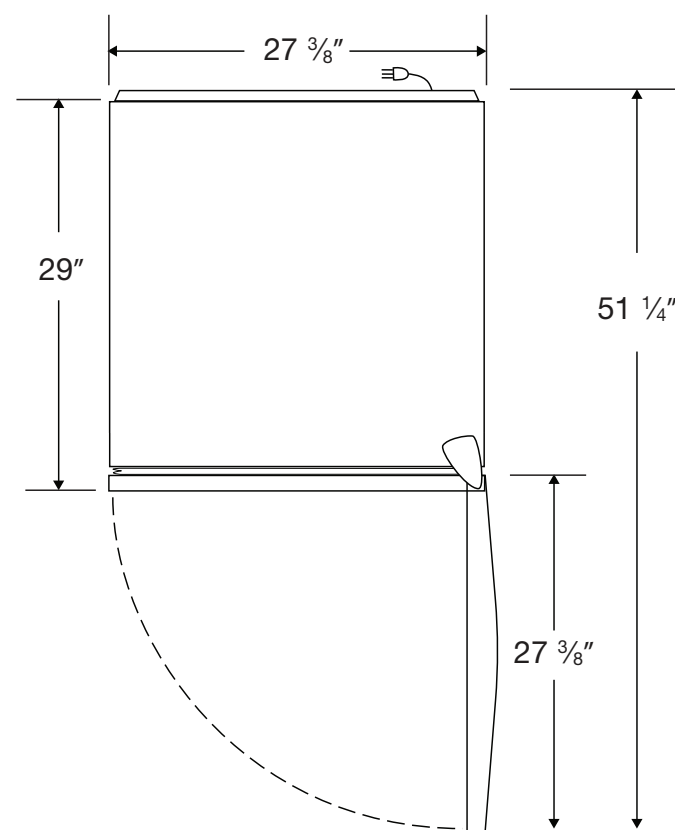
Front View



Side View



Top View



Compartment	Cu. Ft	Defrost	Door	Int Door	Shelves	W"	D"	H"	Refrigerant	Amps	Weight
Freezer	4	Auto	1 Solid	0	1 Adj.	27 3/8	29	60 3/8	R600a	1.1	130 lbs.
Refrigerator	10	Auto	1 Solid	0	1 Adj. /1 Fixed						