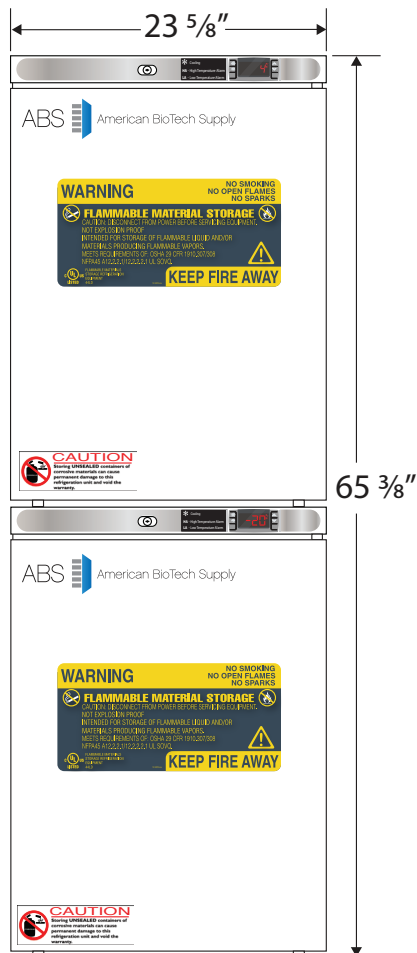
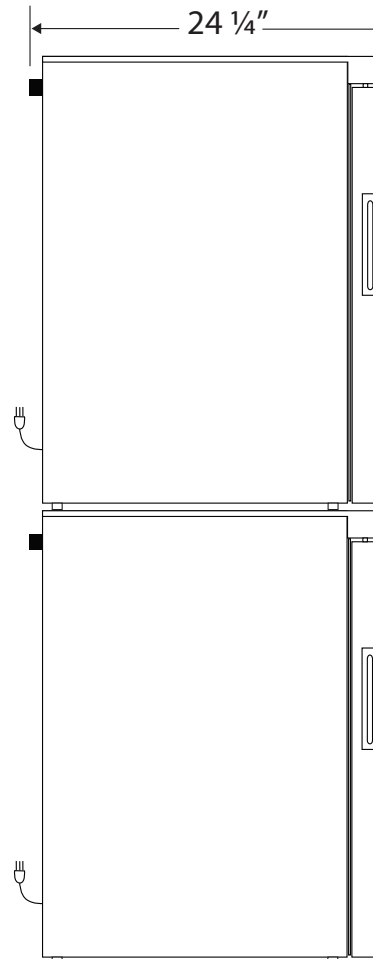


CUTSHEET

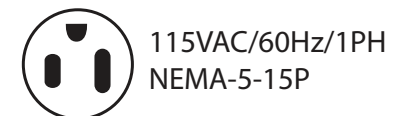
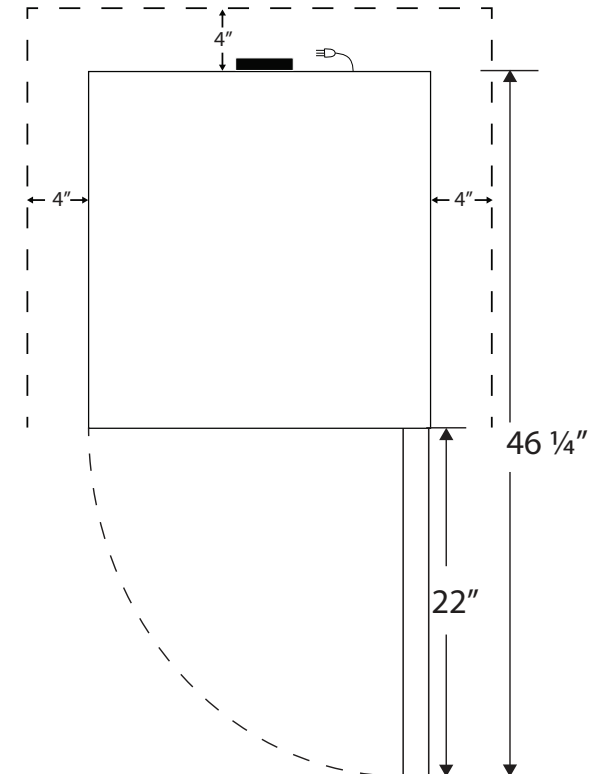
Front View



Side View



Top View



NOTE: Ventilation Requirements – Minimum 4" clearance on sides and back

Compartment	Cu. Ft	Defrost	Door	Int Door	Shelves	W"	D"	H"	Refrigerant	H.P.	Amps	Weight
Refrigerator	5	Cycle	1 Solid	0	3 Adj.	23 5/8	24 1/4	65 3/8	R600a	1/9	1.2	175 lbs.
Freezer	4	Manual	1 Solid	0	2 Fixed					1/8	1.4	