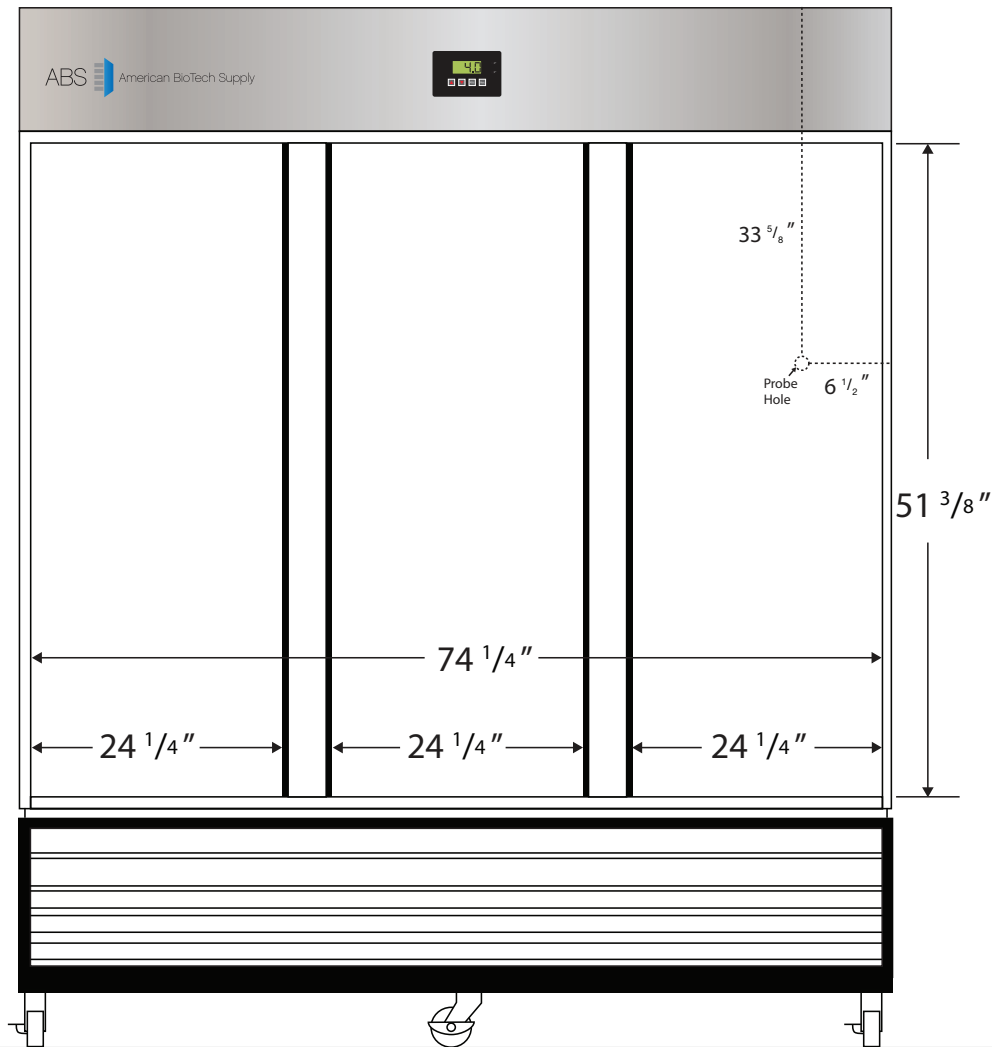
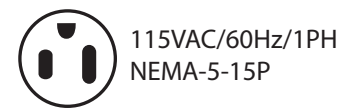
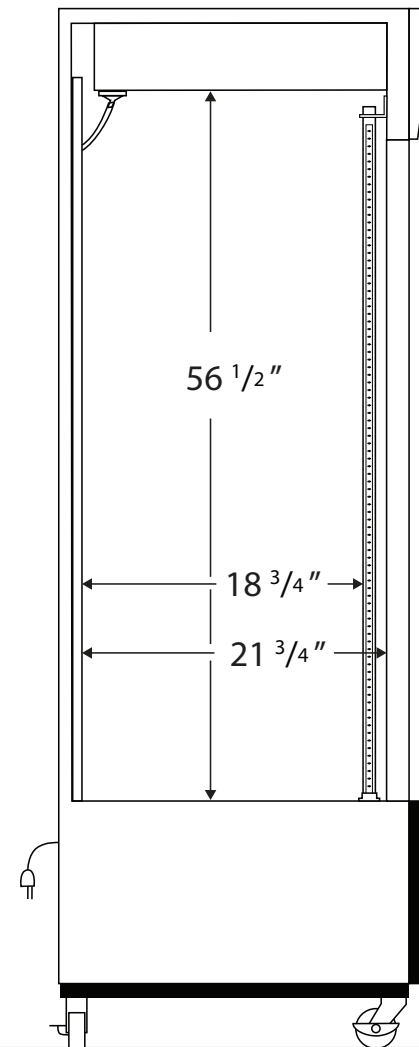


CUTSHEET

Front View



Side View



Cu. Ft	Defrost	Door	Int Door	Shelves	Interior Dim.			Refrigerant	H.P.	Amps	Weight
					W"	D"	H"				
69	Cycle	3 Slide	0	12 Adj	74 1/4	71 3/4	56 1/2	R290	1/2	9.3	645 lbs.

Note: Interior dimensions are estimates and subject to change without notice