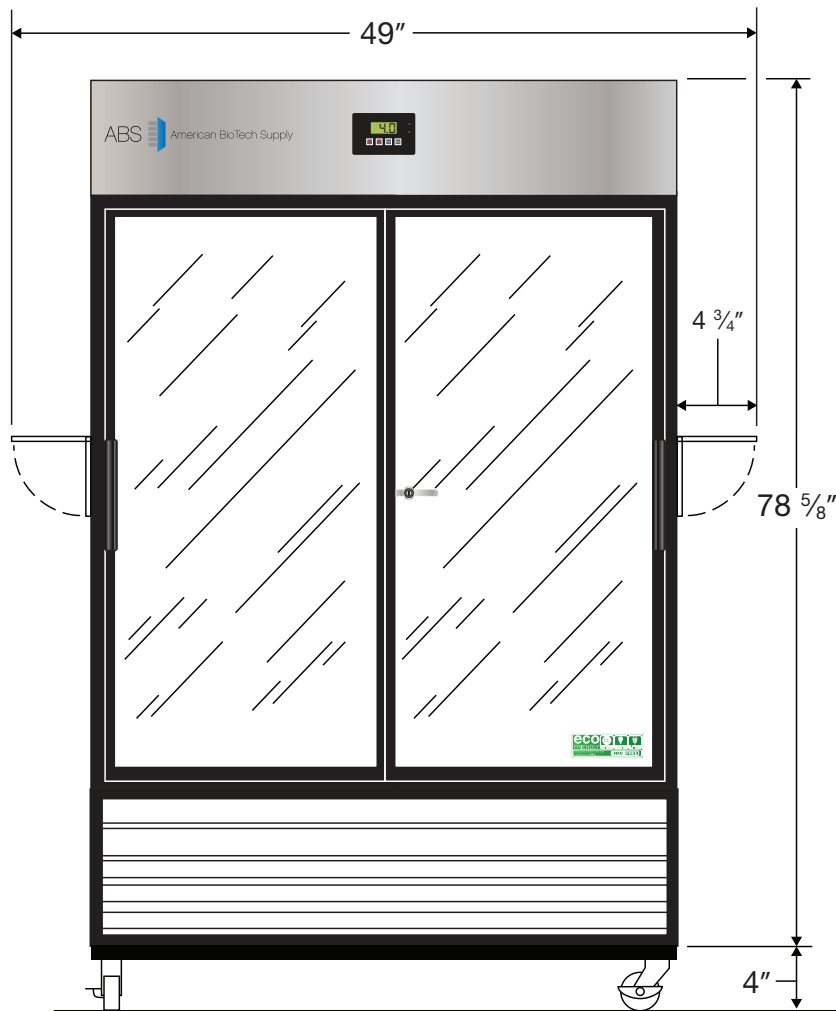
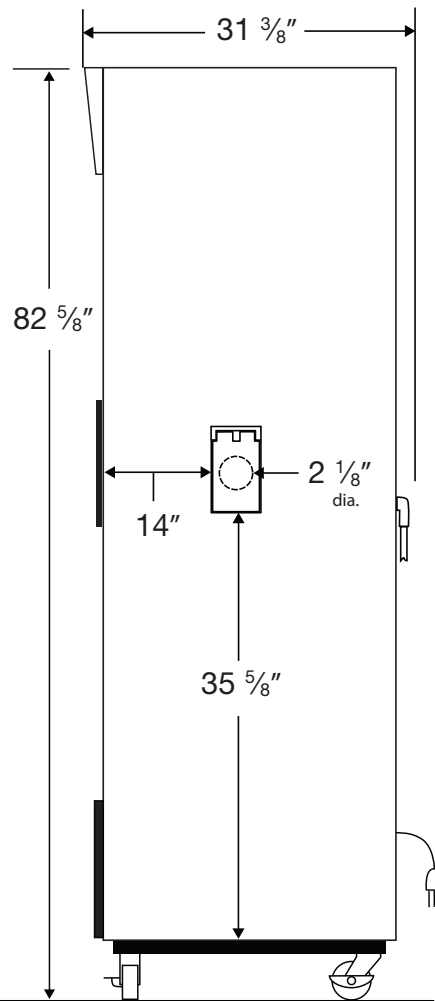


CUTSHEET

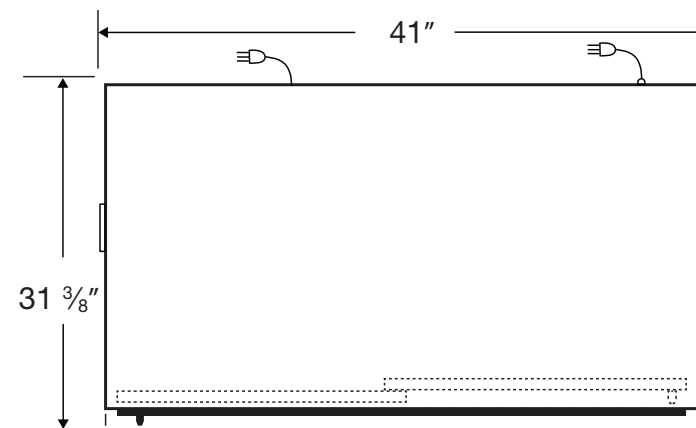
Front View



Side View



Top View



115VAC/60Hz/1PH
NEMA-5-15P

Cu. Ft	Defrost	Door	Int Door	Shelves	W"	D"	H"	Refrigerant	H.P.	Amps	Weight
33	Cycle	2 Slide	0	8 Adj	41	31 3/8	82 5/8	R290	1/2	6.3	363 lbs.