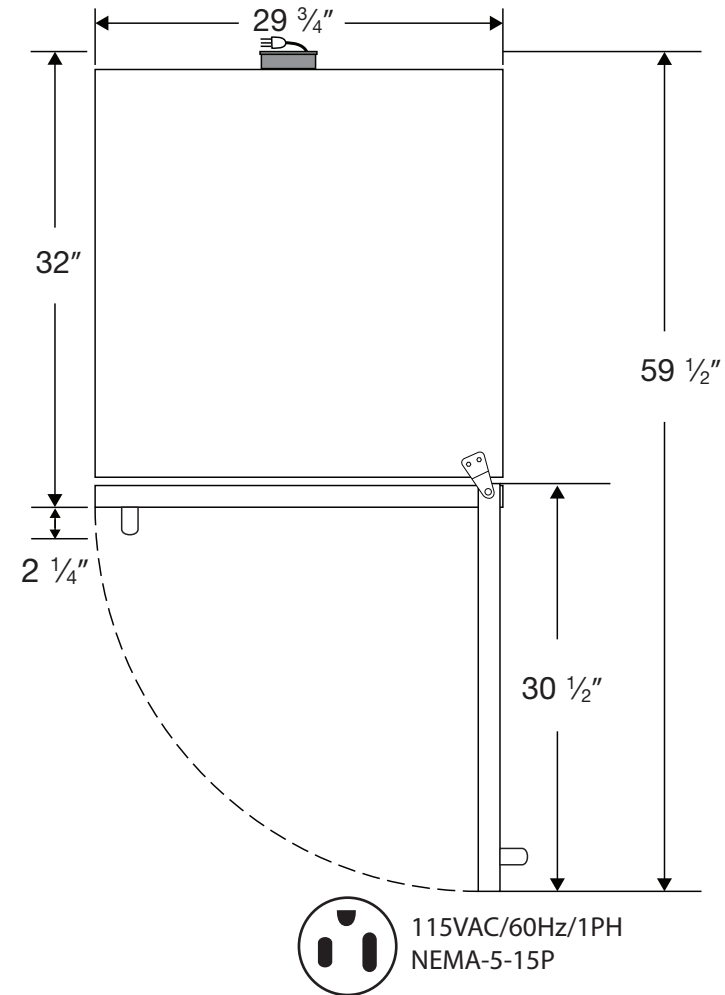
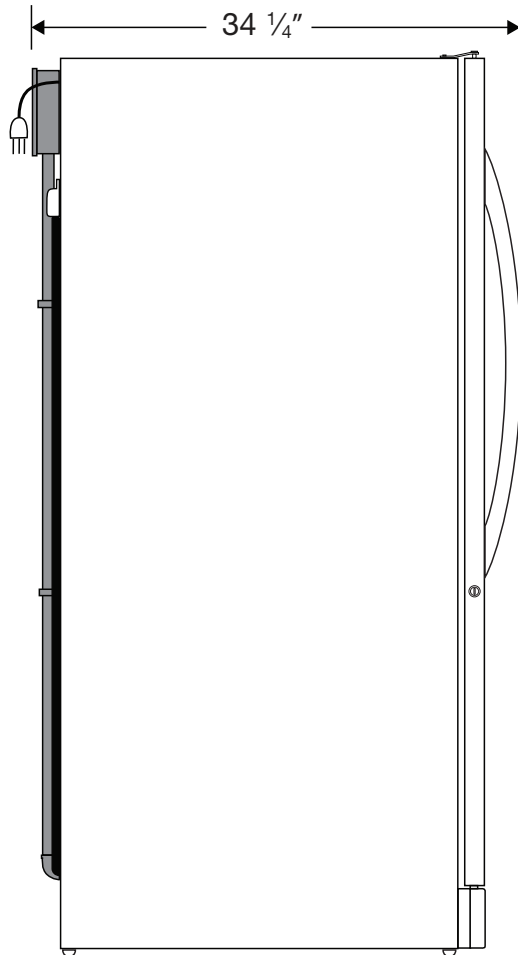
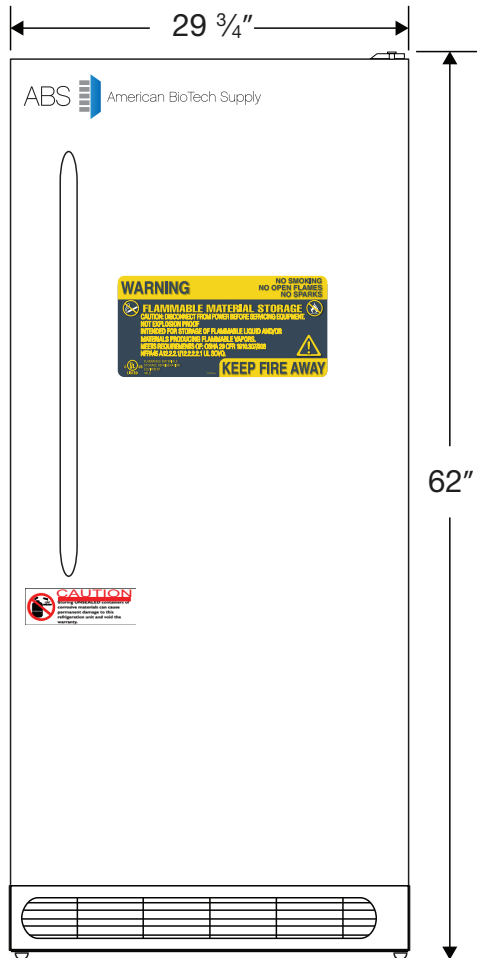


CUTSHEET

Front View

Side View

Top View



Cu. Ft	Defrost	Door	Int Door	Shelves	W"	D"	H"	Refrigerant	H.P.	Amps	Weight
14	Cycle	1 Solid	0	1 Adj/2 Fixed	29 3/4	34 1/4	62	R134a	1/3	5	176 lbs.