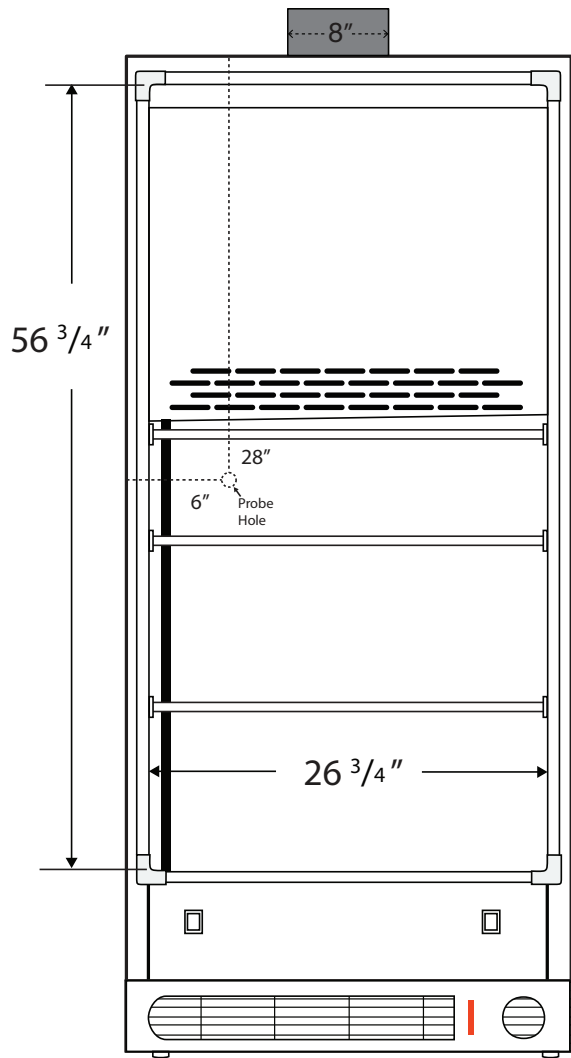
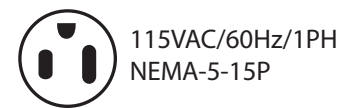
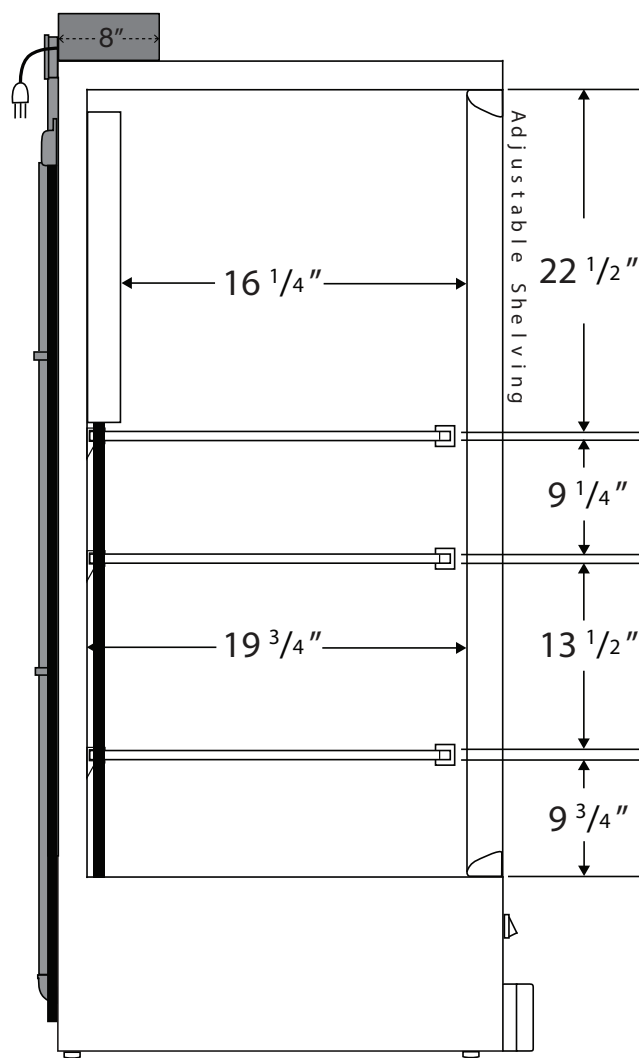


CUTSHEET

Front View



Side View



Cu. Ft	Defrost	Door	Int Door	Shelves	Interior Dim.			Refrigerant	H.P.	Amps	Weight
					W"	D"	H"				
20	Cycle	1 Solid	0	1 Adj/3 Fixed	26 ³ / ₄	19 ³ / ₄	56 ³ / ₄	R134a	¹ / ₃	5	261 lbs.

Note: Interior dimensions are estimates and subject to change without notice