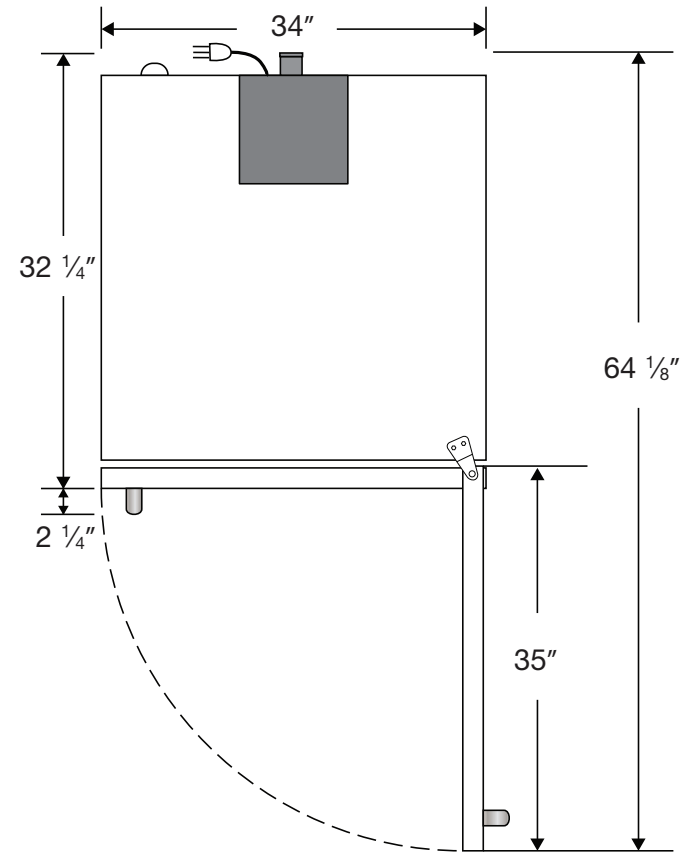
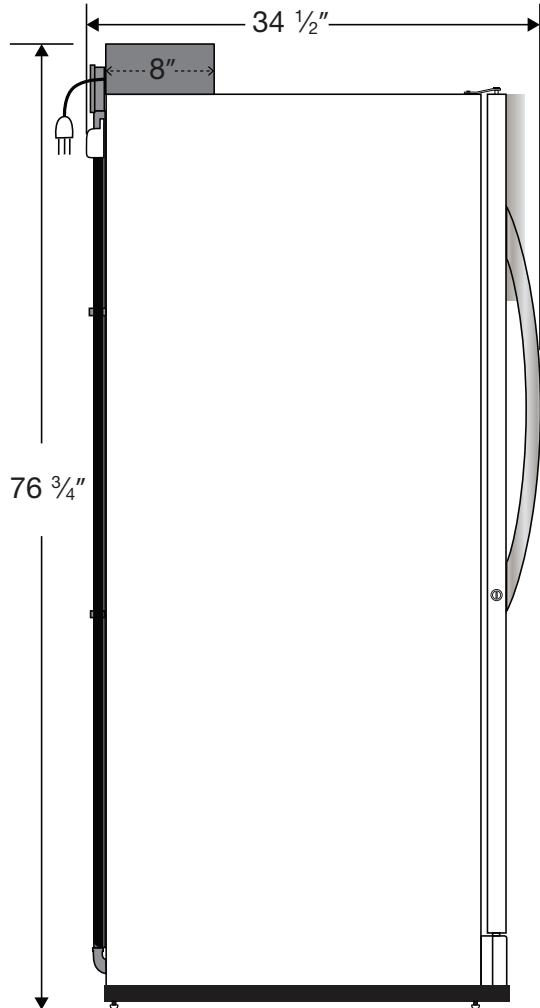
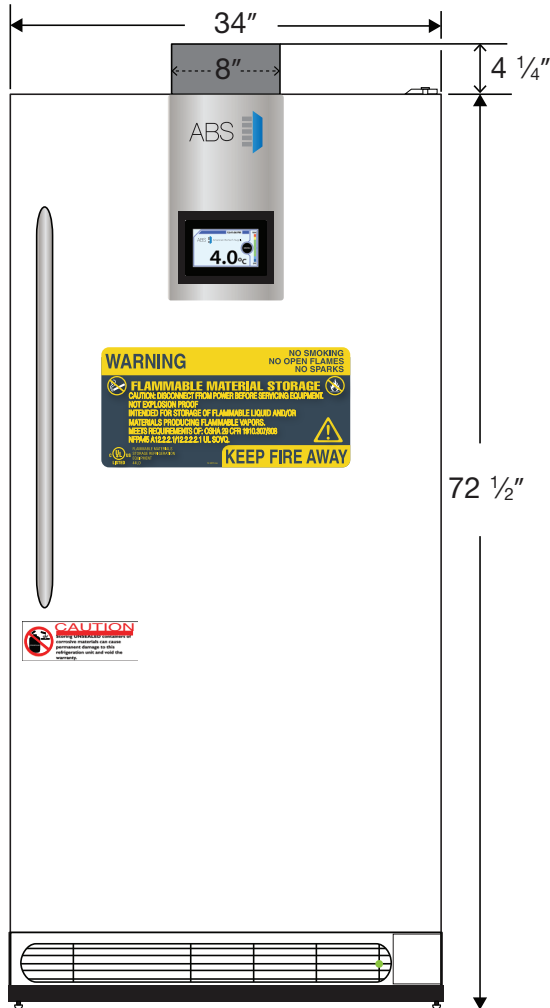


CUTSHEET

Front View

Side View

Top View



115VAC/60Hz/1PH  
NEMA-5-15P

Cu. Ft	Defrost	Door	Int Door	Shelves	W"	D"	H"	Refrigerant	H.P.	Amps	Weight
20	Cycle	1 Solid	0	1 Adj/3 Fixed	34	34 1/2	76 3/4	R134a	1/3	5	261 lbs.