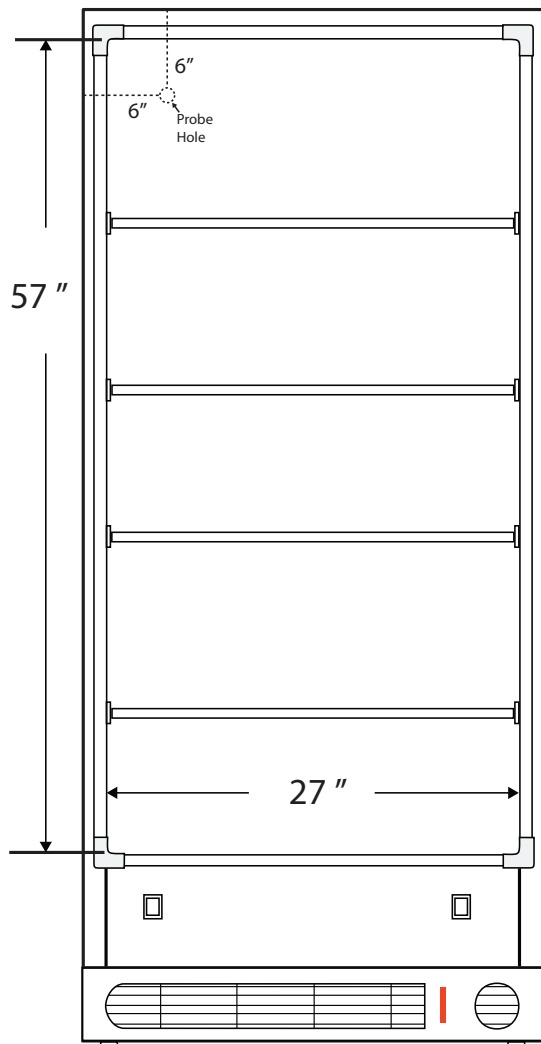
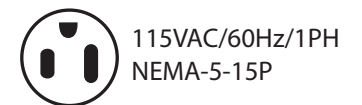
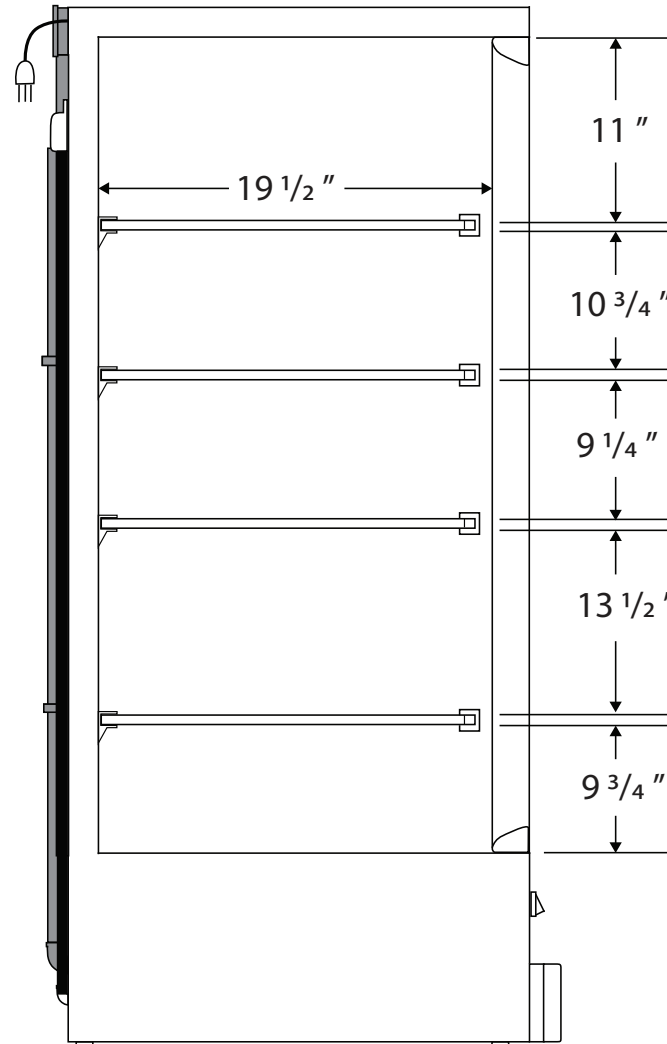


CUTSHEET

Front View



Side View



| Cu. Ft | Defrost | Door | Int Door | Shelves | Interior Dim. | | | Refrigerant | H.P. | Amps | Weight |
|--------|---------|---------|----------|---------|---------------|--------|----|-------------|------|------|----------|
| | | | | | W" | D" | H" | | | | |
| 20 | Manual | 1 Solid | 0 | 4 Fixed | 27 | 19 1/2 | 57 | R134a | 1/3 | 5 | 253 lbs. |

Note: Interior dimensions are estimates and subject to change without notice