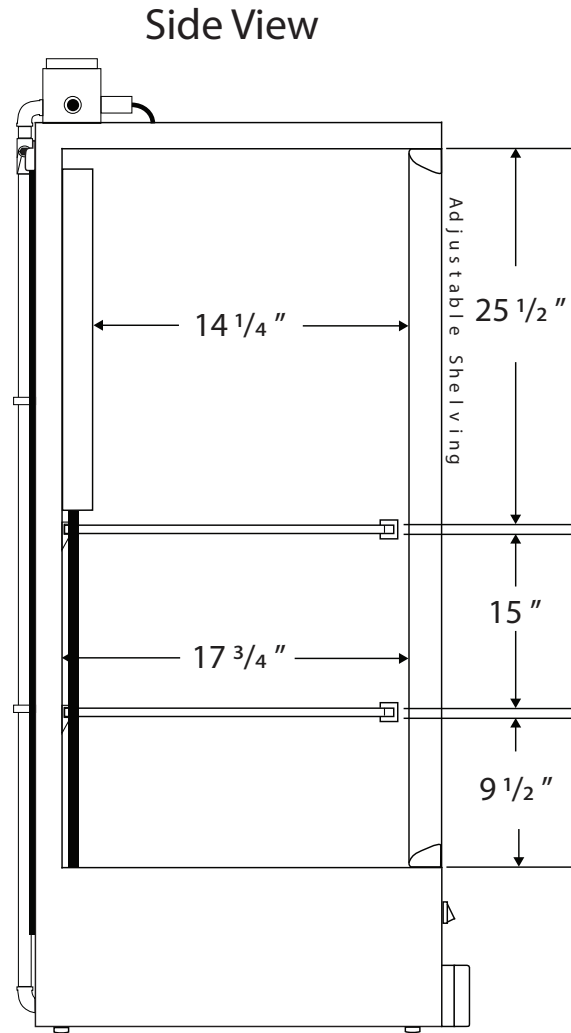
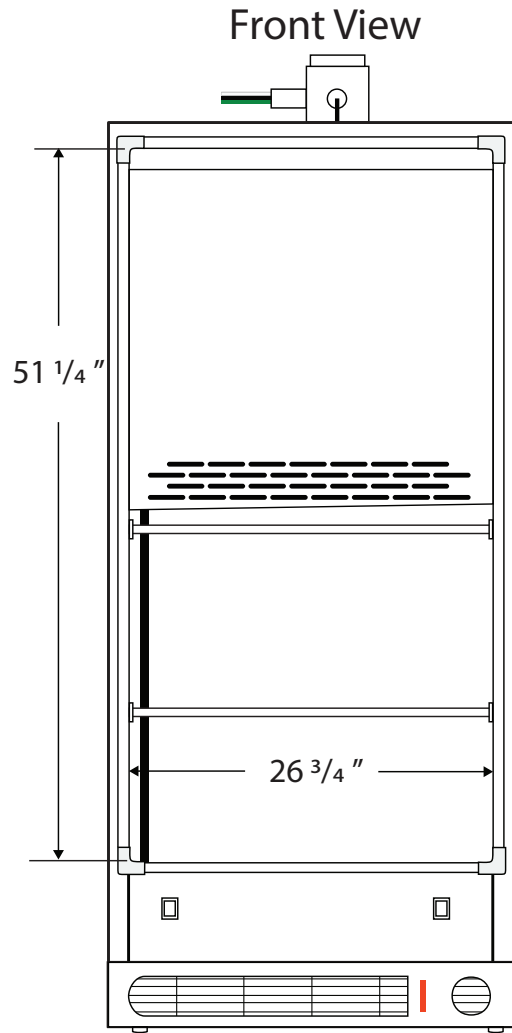


CUTSHEET



Factory Sealed Wires Only

Cu. Ft	Defrost	Door	Int Door	Shelves	Interior Dim.			Refrigerant	H.P.	Amps	Weight
					W"	D"	H"				
17	Cycle	1 Solid	0	1 Adj/2 Fixed	26 3/4	17 3/4	51 1/4	R134a	1/3	5	216 lbs.

Note: Interior dimensions are estimates and subject to change without notice