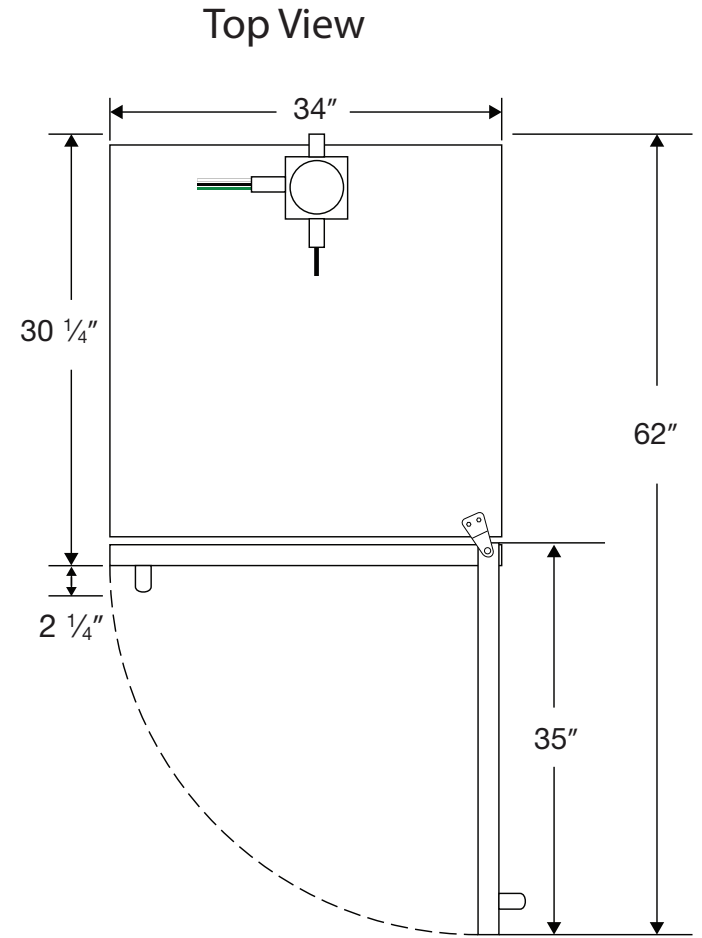
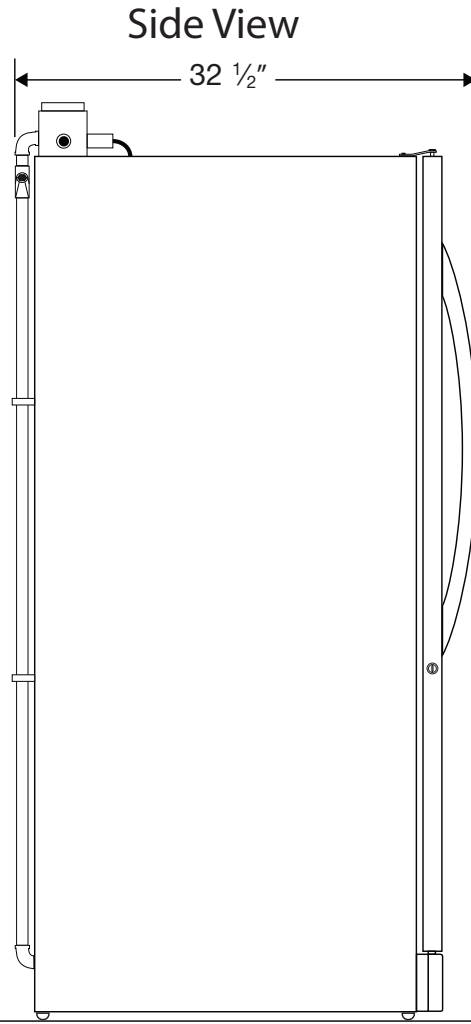


**CUTSHEET**



Factory Sealed Wires Only

Cu. Ft	Defrost	Door	Int Door	Shelves	W"	D"	H"	Refrigerant	H.P.	Amps	Weight
17	Cycle	1 Solid	0	1 Adj/2 Fixed	34	32 1/2	72	R134a	1/3	5	216 lbs.