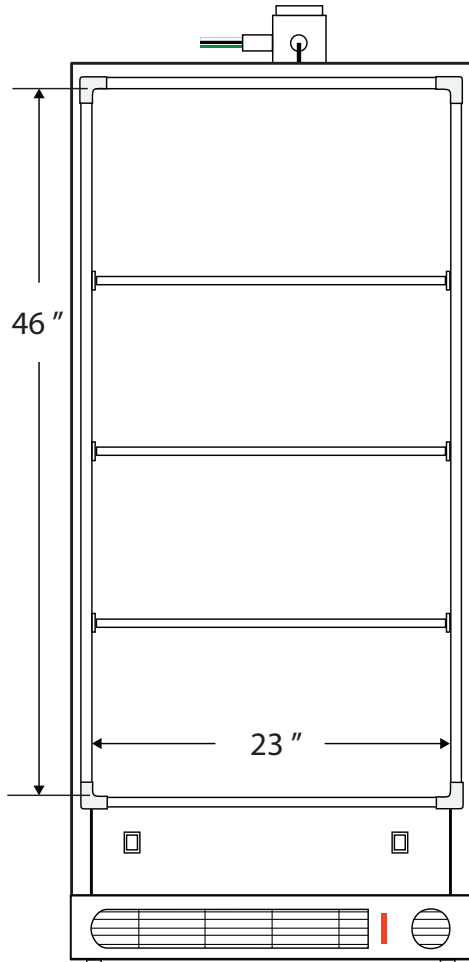
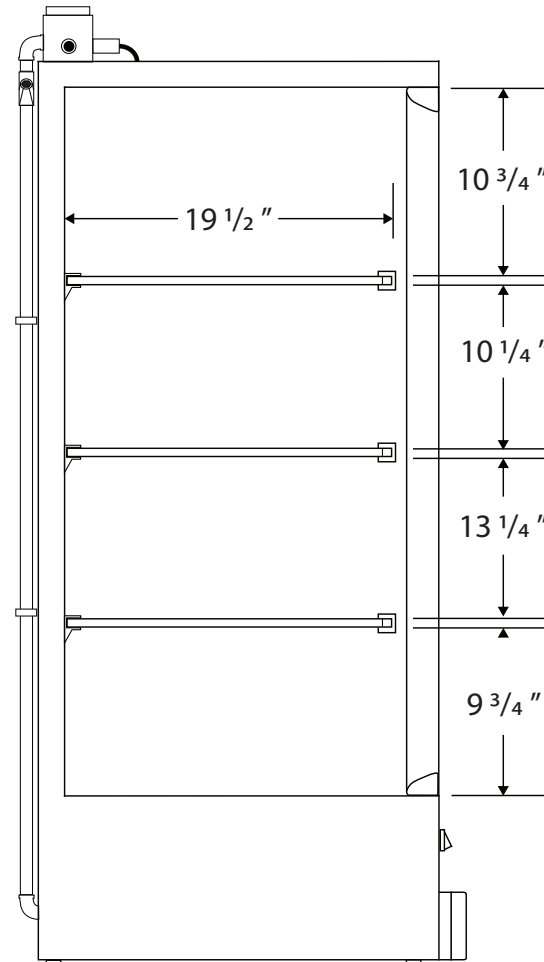


**Front View**



**Side View**



Factory Sealed Wires Only

| Cu. Ft | Defrost | Door    | Int Door | Shelves | Interior Dim. |        |    | Refrigerant | H.P. | Amps | Weight   |
|--------|---------|---------|----------|---------|---------------|--------|----|-------------|------|------|----------|
|        |         |         |          |         | W"            | D"     | H" |             |      |      |          |
| 14     | Manual  | 1 Solid | 0        | 3 Fixed | 23            | 19 1/2 | 46 | R134a       | 1/3  | 5    | 185 lbs. |

Note: Interior dimensions are estimates and subject to change without notice