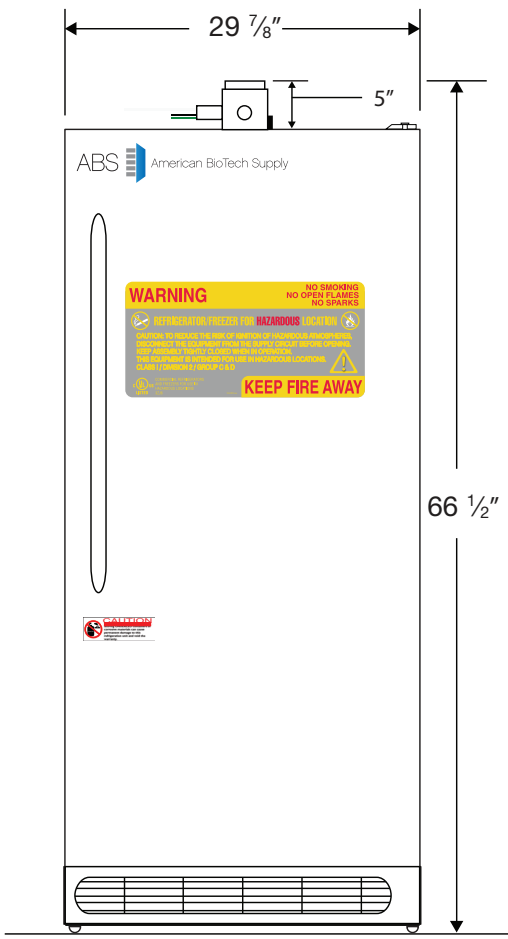
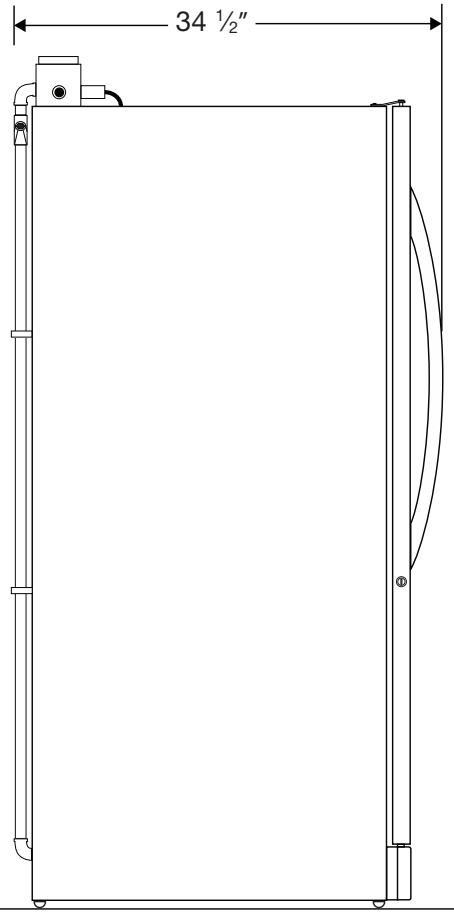


CUTSHEET

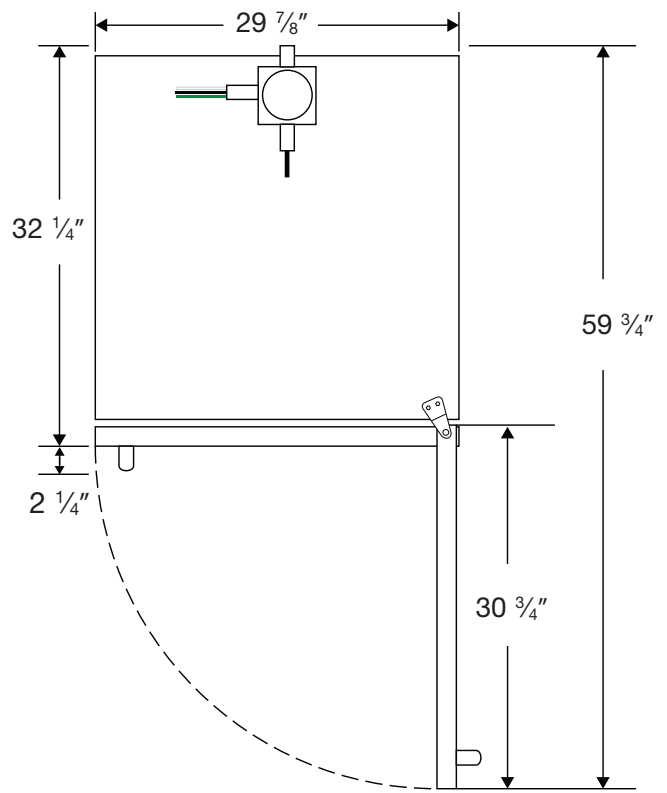
Front View



Side View



Top View



Factory Sealed Wires Only

| Cu. Ft | Defrost | Door    | Int Door | Shelves | W"     | D"     | H"     | Refrigerant | H.P. | Amps | Weight   |
|--------|---------|---------|----------|---------|--------|--------|--------|-------------|------|------|----------|
| 14     | Manual  | 1 Solid | 0        | 3 Fixed | 29 7/8 | 34 1/2 | 66 1/2 | R134a       | 1/3  | 5    | 185 lbs. |