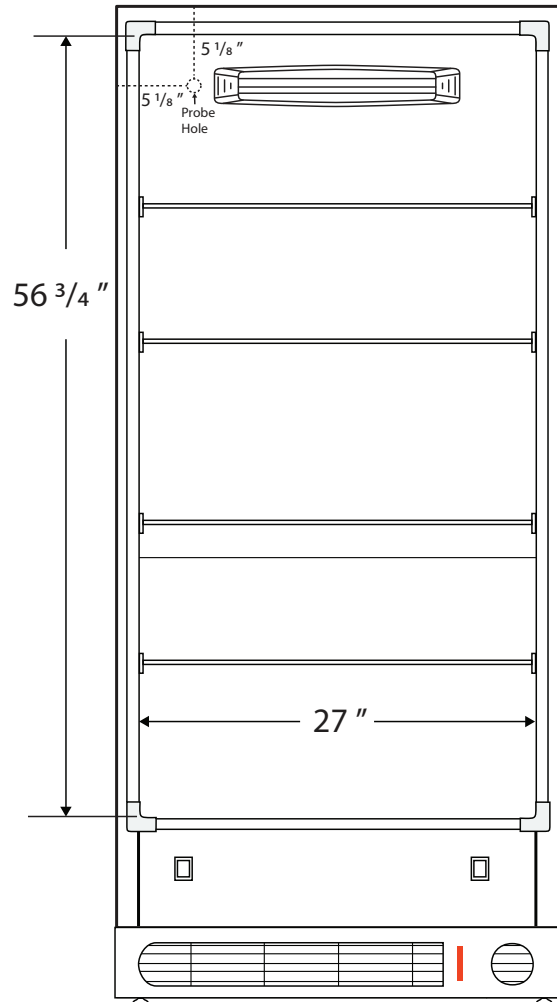
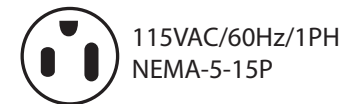
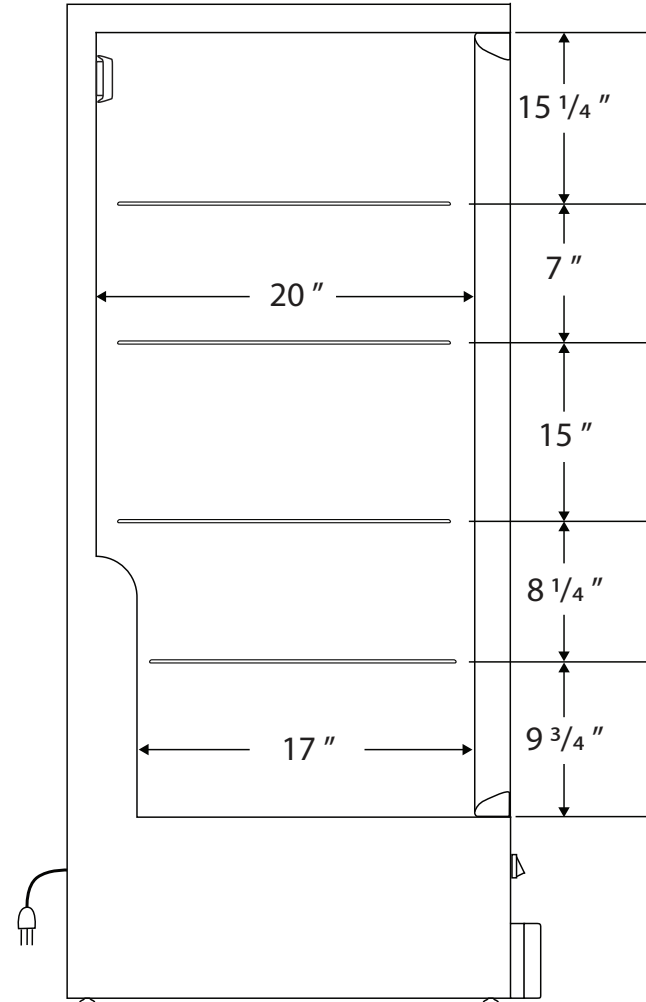


CUTSHEET

Front View



Side View



Cu. Ft	Defrost	Door	Int Door	Shelves	Interior Dim.			Refrigerant	H.P.	Amps	Weight
					W"	D"	H"				
20	Auto	1 Solid	0	4 Fixed	27	20	56 3/4	R134a	1/4	5	170 lbs.

Note: Interior dimensions are estimates and subject to change without notice