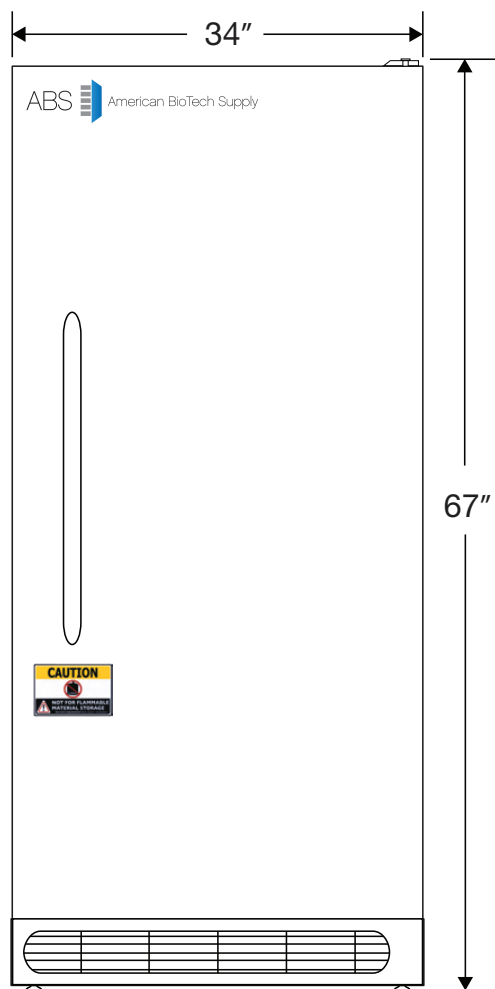
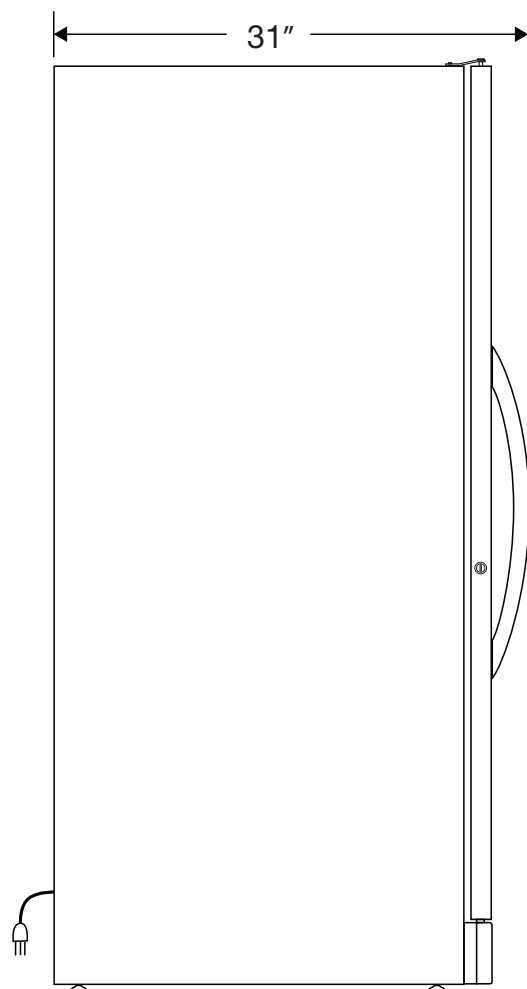


CUTSHEET

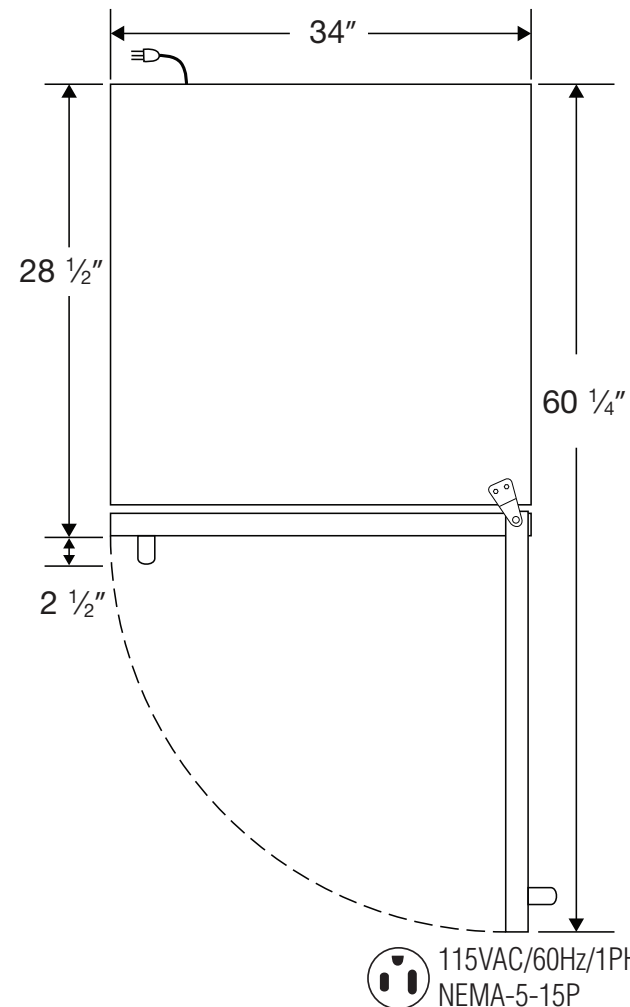
Front View



Side View



Top View



Cu. Ft	Defrost	Door	Int Door	Shelves	W"	D"	H"	Refrigerant	H.P.	Amps	Weight
17	Auto	1 Solid	0	4 Fixed	34	31	67	R134a	1/3	5	188 lbs.