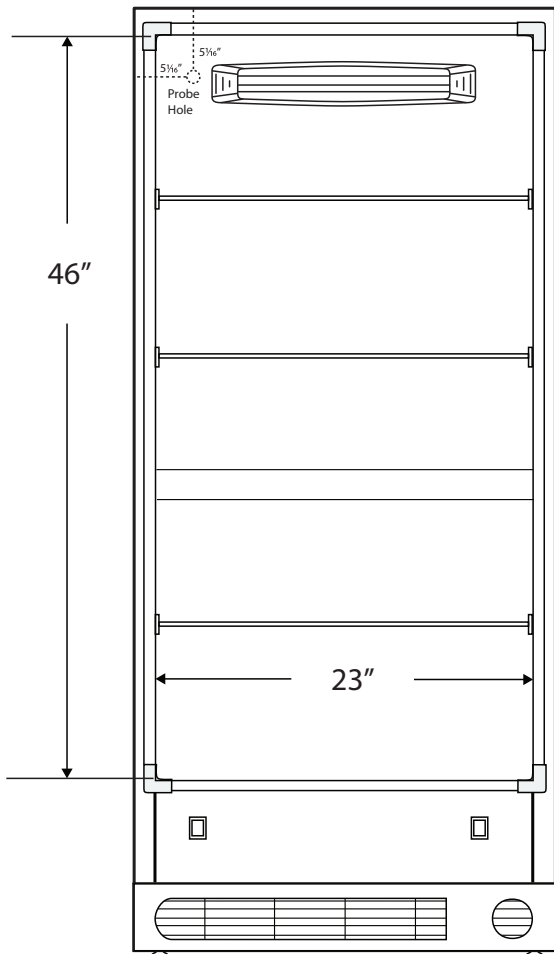
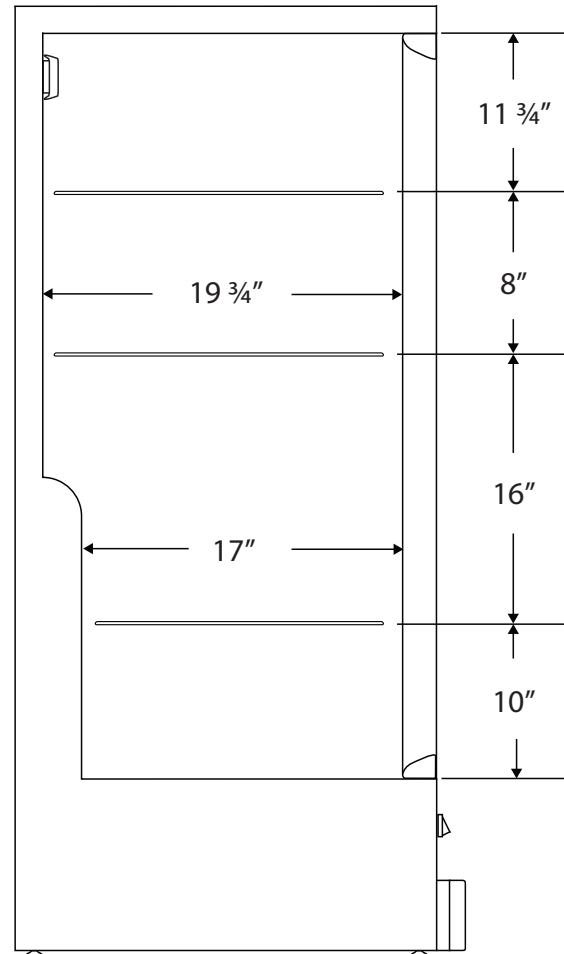


CUTSHEET

Front View



Side View



115VAC/60Hz/1PH
NEMA-5-15P

Cu. Ft	Defrost	Door	Int Door	Shelves	Interior Dim.			Refrigerant	H.P.	Amps	Weight
					W"	D"	H"				
14	Auto	1 Solid	0	3 Fixed	23	19 3/4	46	R134a	1/4	5	160 lbs.

Note: Interior dimensions are estimates and subject to change without notice