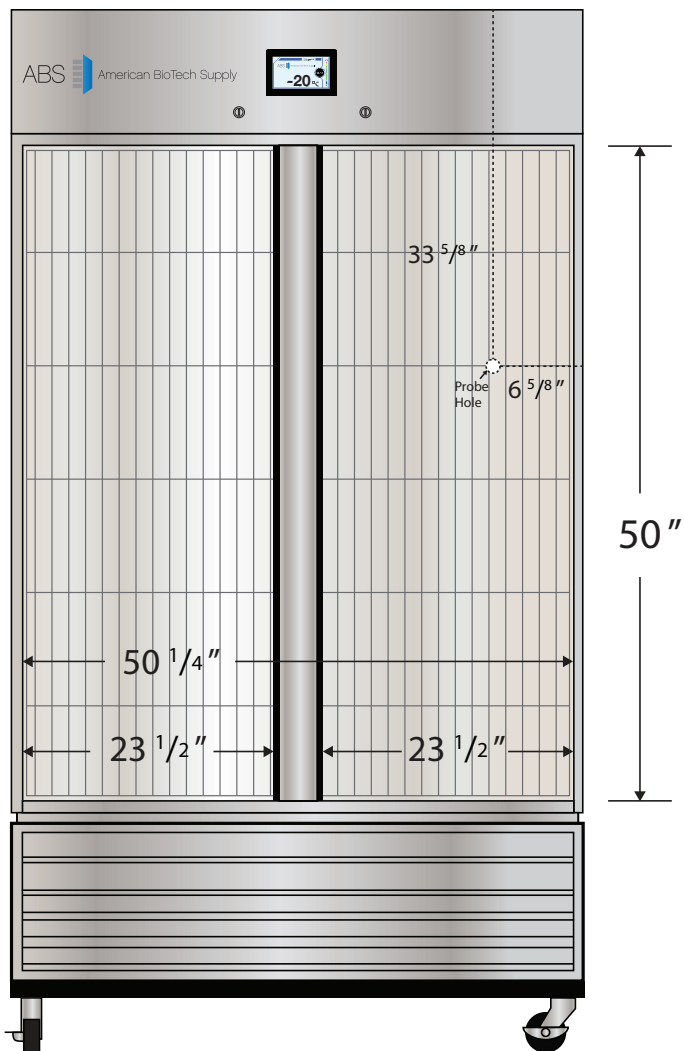
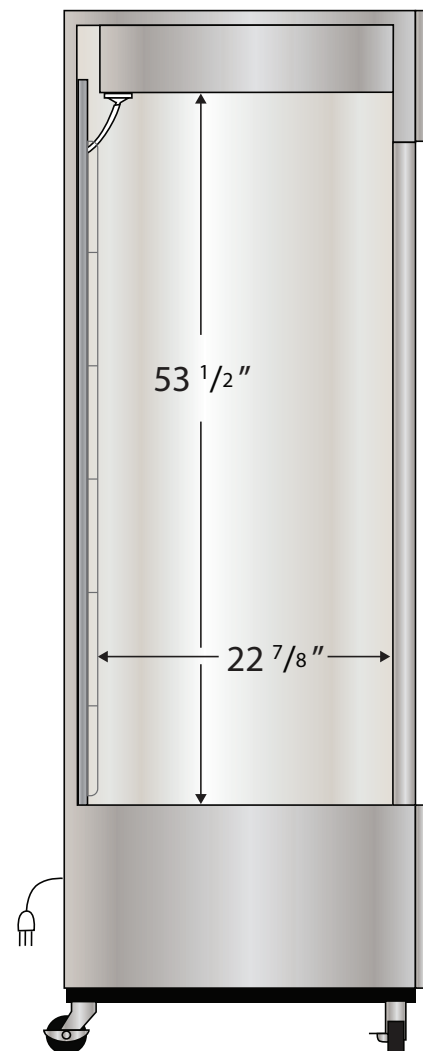


Front View



Side View



115VAC/60Hz/1PH
NEMA-5-15P

Cu. Ft	Defrost	Door	Int Door	Shelves	Interior Dim.			Refrigerant	H.P.	Amps	Weight
					W"	D"	H"				
49	Auto	2 Solid	0	6 Adj	50 1/4	22 7/8	53 1/2	R290	1	9.6	465 lbs.

Note: Interior dimensions are estimates and subject to change without notice