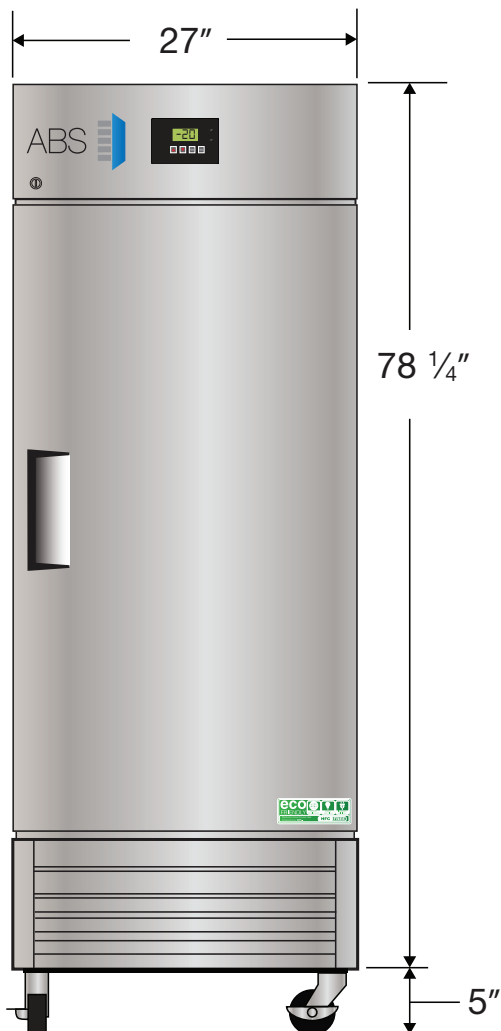


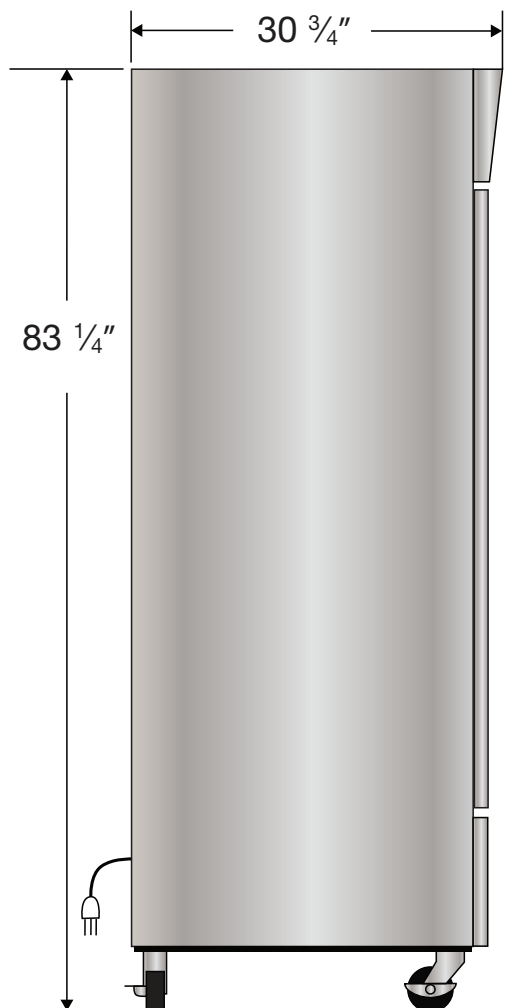


CUTSHEET

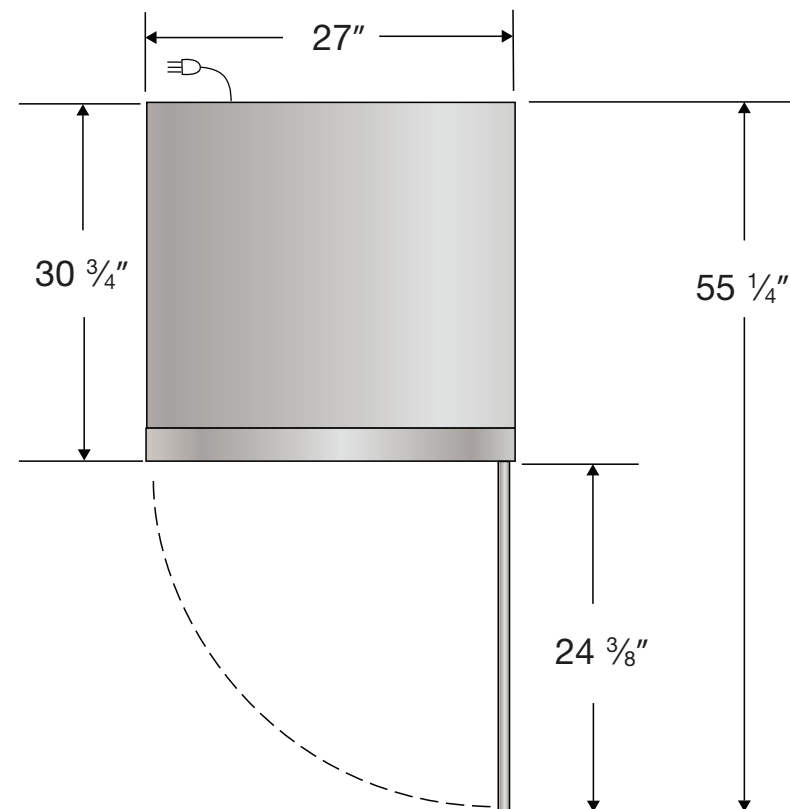
Front View



Side View



Top View

115VAC/60Hz/1PH
NEMA-5-15P

Cu. Ft	Defrost	Door	Int Door	Shelves	W"	D"	H"	Refrigerant	H.P.	Amps	Weight
23	Auto	1 Solid	0	3 Adj.	27	30 3/4	83 1/4	R290	1/2	3.7	270 lbs.