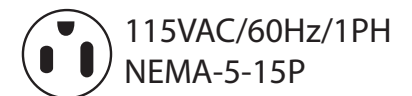
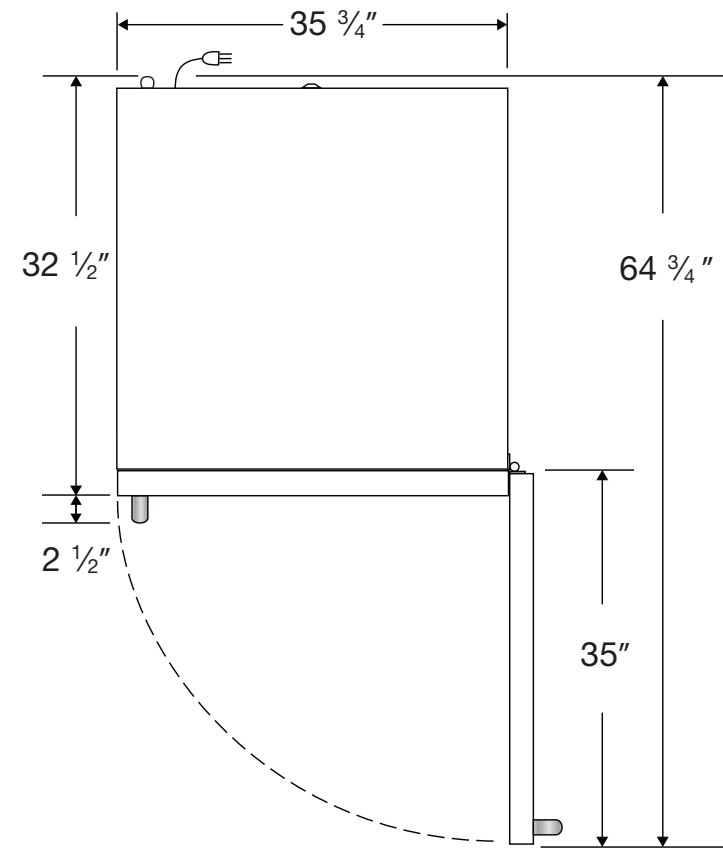
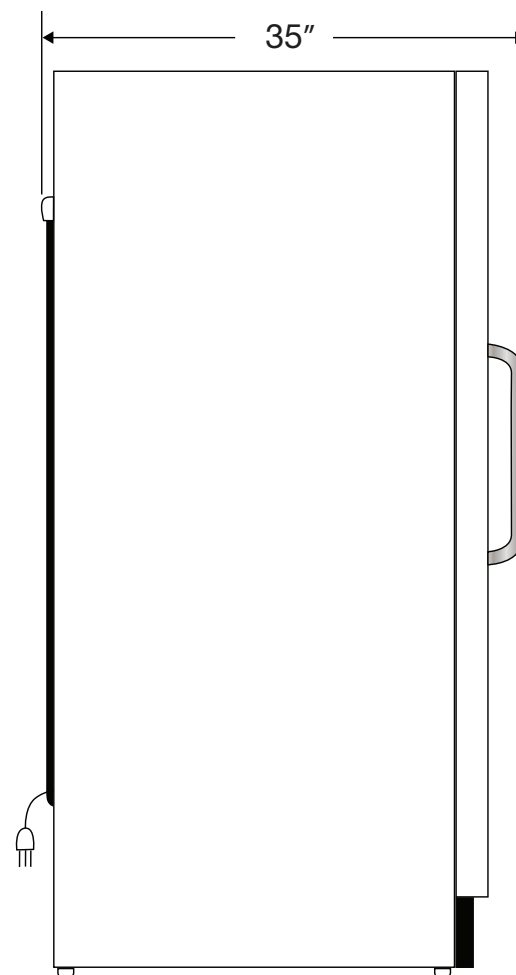
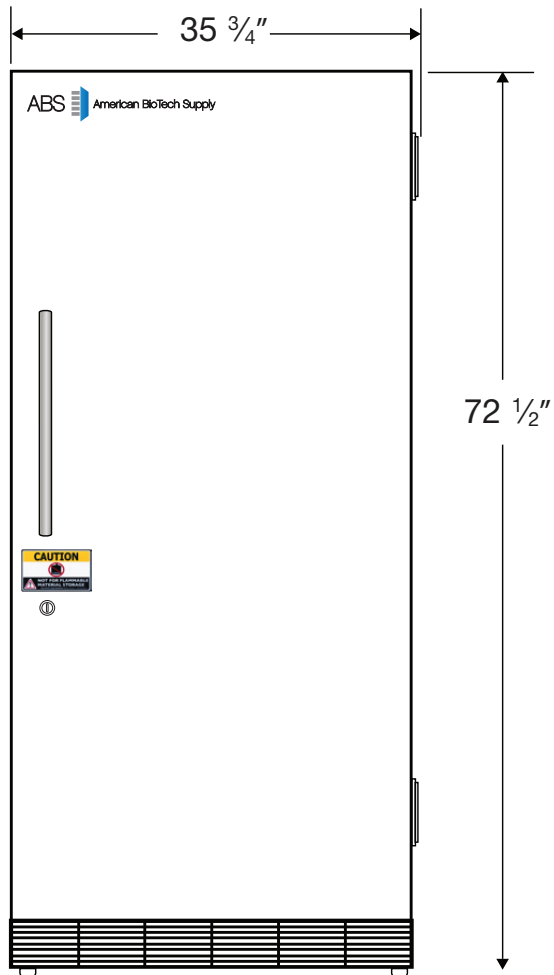


CUTSHEET

Front View

Side View

Top View



Cu. Ft	Defrost	Door	Int Door	Shelves	W"	D"	H"	Refrigerant	H.P.	Amps	Weight
30	Cycle	1 Solid	0	5 Adj.	35 $\frac{3}{4}$	35	72 $\frac{1}{2}$	R404a	$\frac{1}{3}$	6.8	340 lbs.