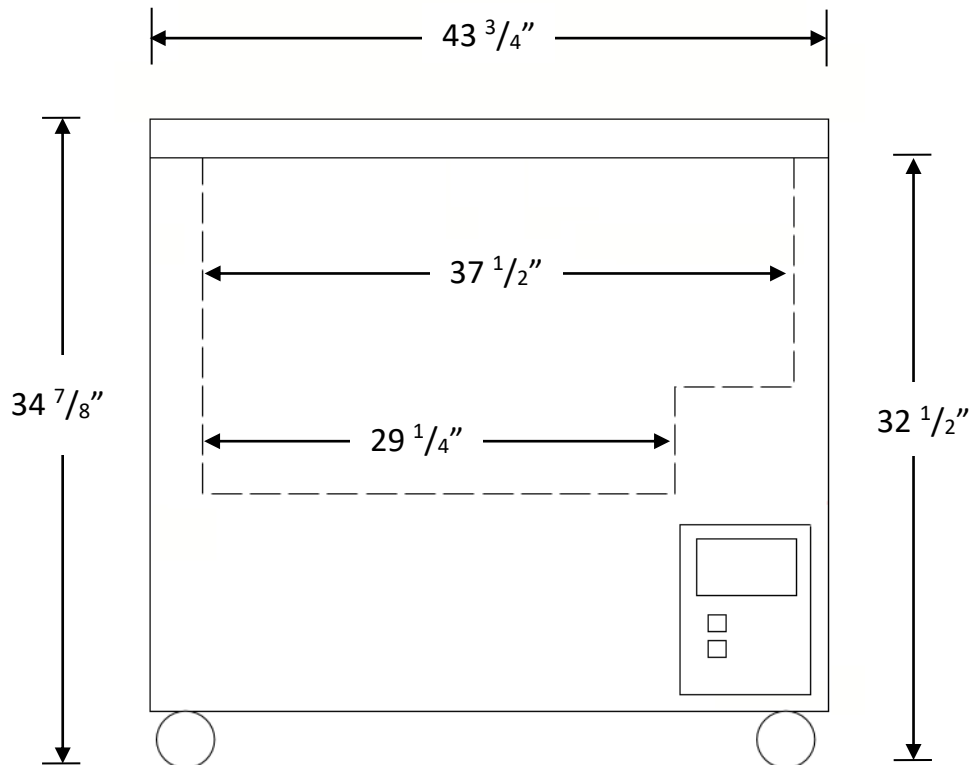


Chest Freezer Side View

FREEZER SPECIFICATIONS		
CAPACITY	9 CUBIC FEET	
STYLE	CHEST	
NET WEIGHT	110 LBS.	
SHIPPING WEIGHT	150 LBS.	
INTERIOR DIMENSIONS		
INTERIOR WIDTH	37.50"	95.3 CM
INTERIOR DEPTH	16.50"	41.9 CM
INTERIOR HEIGHT	17.50"	44.5 CM
EXTERIOR DIMENSIONS		
EXTERIOR WIDTH	43.75"	111.1 CM
EXTERIOR DEPTH	24.75"	62.9 CM
EXTERIOR HEIGHT	34.88"	88.6 CM
EXTERIOR CRATED DIMENSIONS		
CRATED WIDTH	48.00"	121.9 CM
CRATED DEPTH	43.00"	109.2 CM
CRATED HEIGHT	57.00"	144.8 CM



Chest Freezer Front View