



KF25 0-25% Oxygen Deficiency Monitor for Vacuum and Gas Lines

ITEM #. 99035

Product Summary

PureAire's KF25 0-25% Oxygen Deficiency Monitor is ideal for facilities requiring continuous monitoring of gas lines, glove boxes, nitrogen gas compressors, and vacuum chambers, as well as any locations where low oxygen levels need to be supervised. The unit's oxygen sensor mounts directly into the vacuum chamber with the use of a KF type vacuum fitting. The monitor is also well suited for semiconductor tools, OLED manufacturers and, for any industry applications where inert gases including, but not limited to, nitrogen, and argon are used in a vacuum. PureAire's stable, long-life zirconium oxide sensor will last 10+ years in maintained environments without needing to be replaced.

Facilities That Need This Product

- *Semiconductor*
- *OLED Manufacturers*
- *Nitrogen Compressors*
- *3D Plastic & Metal Printing*

FEATURES

- **KF25 Flange Connector**
- **2 Configurable Relays, Factory 19.5% & 18.0%**
- **10+ Year Sensor**
- **3 Year Warranty**
- **No Calibration**
- **Operates in a Vacuum**
- **No Drift Due to Environmental or Temperature Changes**
- **Local Digital Display, 4-20mA Output**
- **24V DC Power Supply Included**
- **C UL Listed Measuring Equipment E363306**
- **CE Approved EMC EN 61326-1:2006**

EN 61010-1-3-2013 LVD

Why choose PureAire?

PureAire Monitoring Systems, Inc. is an industry leader in oxygen monitoring and gas detection. For over 20 years, we have dedicated ourselves to the safety our clients, and the customers they serve, by manufacturing monitors that are long-lasting, accurate, and reliable. PureAire takes pride in providing exceptional customer service, along with 24/7 availability to our technical service department.

Why a KF25 0-25% O2 Deficiency Monitor?

The PureAire KF25 0-25% O2 Deficiency Monitor is designed for continuous monitoring where inert gases are used to create an environment where low oxygen is present, such as glove boxes and vacuum chambers.

What gases can be detected with a KF25 0-25% O2 Deficiency Monitor?

PureAire's KF25 O2 Deficiency Monitor can be used in vacuum chambers, 20 Torr, where inert gases, including nitrogen and argon are used.

Easy to Use

Secure the monitor to the wall so that the display is visible. The oxygen sensor and KF25 flange can be installed directly into the glove box or vacuum chamber, up to 10 feet from the monitor. Connect the monitor to a 24V DC 250mA power source. After a brief startup period, the monitor will begin measuring oxygen levels. Oxygen levels will be displayed clearly on the screen, for easy access and visibility.

Top Advantages of Oxygen Deficiency Monitor



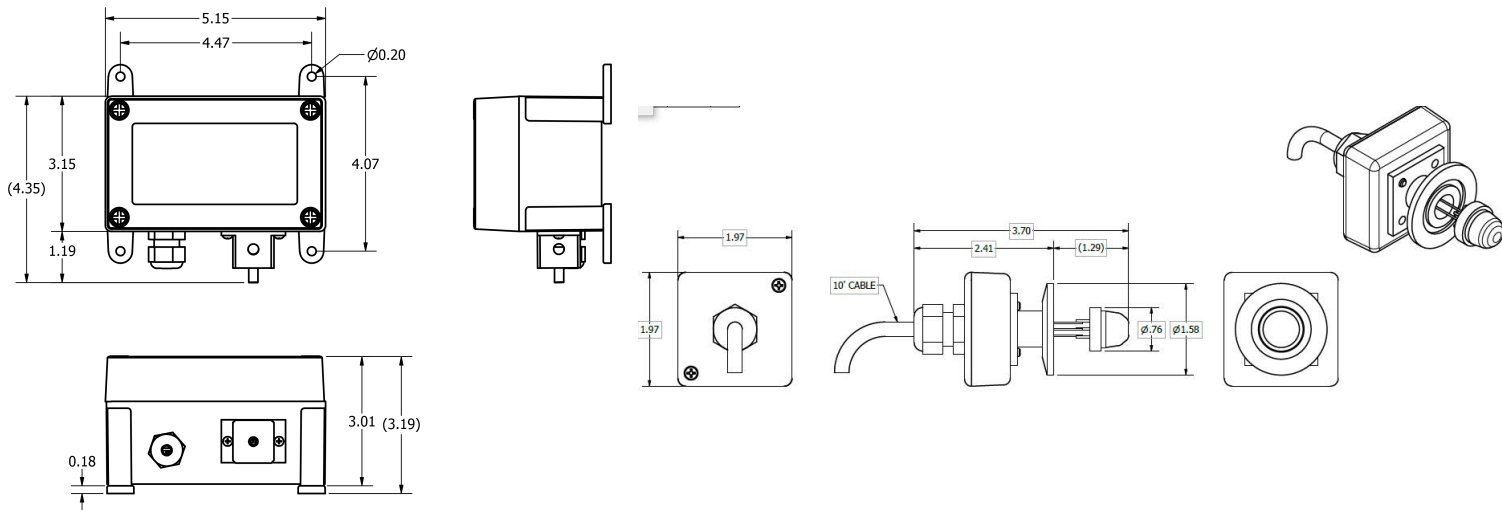
Oxygen Deficiency Alarm

PureAire's O2 Monitor comes with 2 adjustable alarm setpoints that can connect to a horn/strobe, ex-haust fan, 8 channel controller, remote display, or into building systems. Alarm signals also can tie into automatic shut-off valves when oxygen levels fall below the OSHA threshold.



Easy To Use

The Air Check O2 Deficiency Monitor provides constant monitoring with little to no adjustments, saving you time and money while allowing the monitor to operate seamlessly. Our quality sensor makes this the longest lasting O2 monitor on the market.



Top Accessories



**8 Channel Programmable
Controller for O2 or Gas
Monitors**

ITEM #: 99058



**Remote Digital
Display**

ITEM #: 99091



**Red Horn/Strobe
24VDC**

ITEM #: 42002



1-888-788-8050

info@pureaire.net
pureairemonitoring.com

1140 Ensell Road
Lake Zurich, IL 60047
1-847-726-6000