

No Vent Petri Dish



Dynalon[®]
Labware
quality . value . service

175 Humboldt Street, Suite 300
Rochester, NY 14610
Tel 800-334-7585
Fax 585-334-0241

NEW #402024-0000

- No vent 92 x 16mm stackable petri dish
- Transparent top and bottom
- Disposable (single use) polystyrene petri dish
- Optically clear
- Gamma sterilized
- Contents sterile if sleeve is unopened
- Consistent flatness allows for even media distribution
- Certificates of Sterilization Processing upon request
- Traceable by batch number

Dishes/ Sleeve	Dishes/ Box	Dishes/ Pallet	Box Dimensions			Box Cubic	Box Weight
			L	W	H		
20	480	9600	23 584	15.24" 387mm	14.17 360	2.88ft ³ 0.0814m ³	24.62lbs 9.19 kg

Stackable Petri Dish



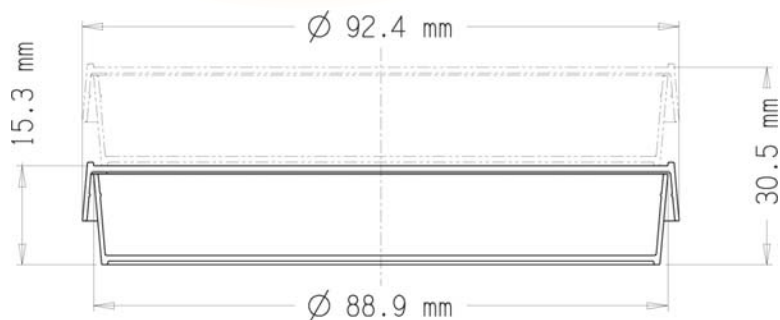
NEW #402024-0004

- Standard 100 x 15mm stackable petri dish
- Clear top and bottom viewing surfaces
- Disposable (single use) polystyrene petri dish for general microbiological use
- Molded from medical-grade virgin polystyrene
- Optically clear
- Radiation sterilized
- Contents sterile if sleeve is unopened
- 4 Ventilation ribs/vents allow for free air circulation and reduce condensation during incubation
- Consistent flatness allows for even media distribution
- Flared lid skirt and squared corners for easy one-hand operation, especially with gloves
- Certificates of Sterilization Processing upon request
- Traceable by lot and SKU number
- Certificates of Compliance available upon request

Dynalon[®]
Labware

quality . value . service

175 Humboldt Street, Suite 300
Rochester, NY 14610
Tel 800-334-7585
Fax 585-334-0241



Lid designed for optimum stack stability



Manufactured from virgin-grade polystyrene for optimum clarity and quality



Ventilation ribs allow for free air circulation and reduce condensation during incubation

Dishes/ Sleeve	Dishes/ Box	Boxes/ Pallet	Box Dimensions			Box Cubic	Box Weight
			L	W	H		
25	500	30	19.25 48.9	15.5" 39.37cm	16.0 40.64	2.76ft ³ 0.08m ³	20.86lbs 9.46 kg