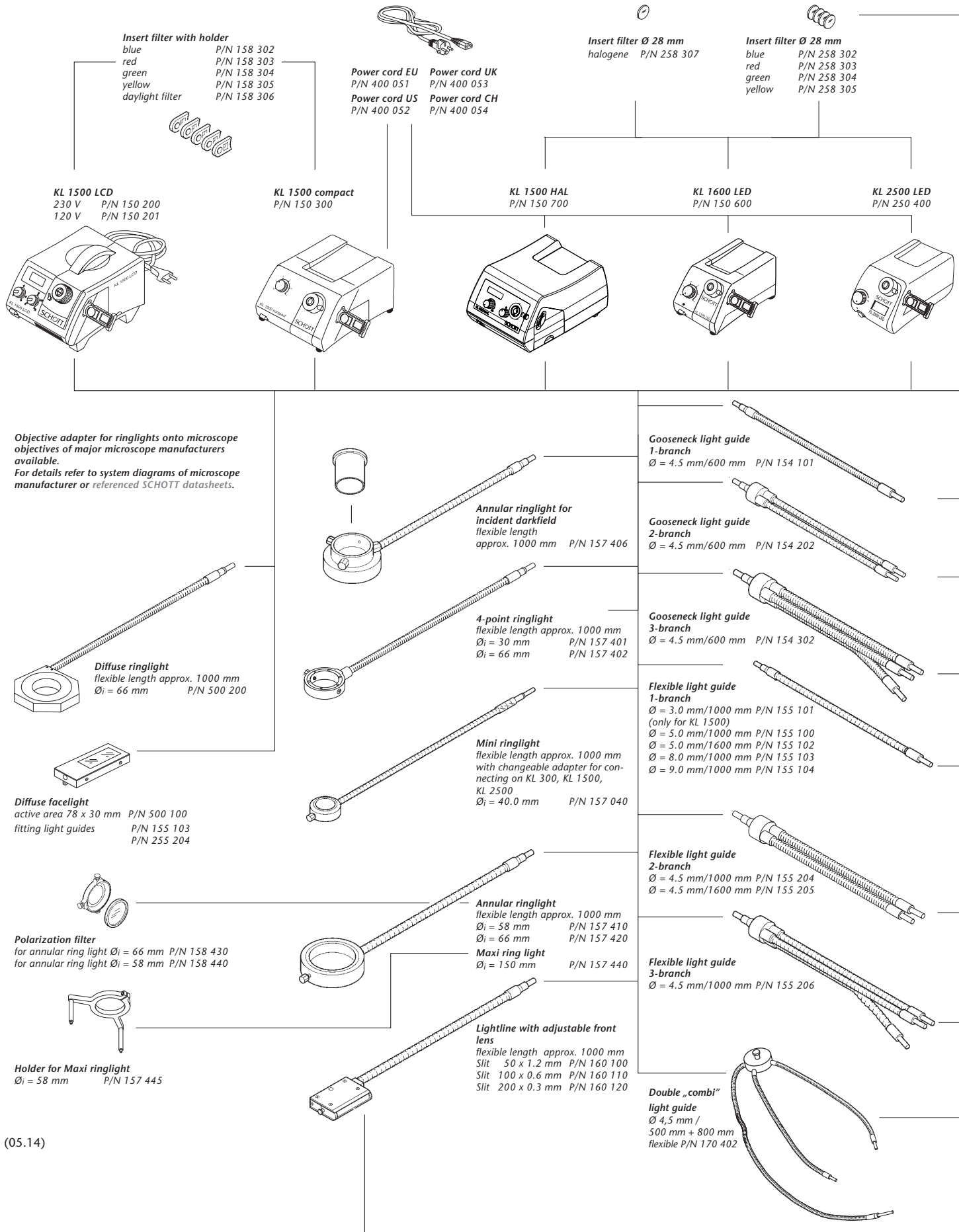


System diagram for KL 1500 / 1600 / 2500 series



KL 2500 LCD
 230 V P/N 250 200
 120 V P/N 250 201

Polarization filter for focusing lens, twistable for light guides
 $\varnothing = 12/15$ mm P/N 258 205

Focusing lens without filter for light guides
 $\varnothing = 15$ mm P/N 258 210

Electronic accessories
 Y-piece for simultaneous operation of tilt switch (258 403) and remote control (258 402) P/N 258 400
 Cable extension P/N 258 401

Remote control P/N 258 402 **Tilt switch** P/N 258 403

Lightline with adjustable focusing optics and tilt angle, non-slip
 length of flexible bundle 1000 mm
 Line 300 x 0.3 mm P/N 260 130
 length of flexible bundle 1500 mm
 Line 300 x 0.3 mm P/N 260 135

Annular ringlight "Jumbo"
 $\varnothing_i = 66$ mm P/N 257 420

Flexible light guide
 $\varnothing = 15$ mm/1000 mm P/N 250 102
 $\varnothing = 15$ mm/1500 mm P/N 250 103

Flexible light guide
 2-branch, randomized
 $\varnothing = 9$ mm/1000 mm P/N 255 204

Focusing lens and filter set for light guides up to $\varnothing = 5$ mm; blue, red, green, yellow P/N 158 200

Polarization filter for focusing lens P/N 158 205

Daylight filter for focusing lens P/N 158 211

Halogen filter for focusing lens P/N 158 207

Focusing lens for light guides up to $\varnothing = 5$ mm P/N 158 210

Holder for focusing lens P/N 158 341

Transmitted light stage $\varnothing 84$ mm, for flexible light guide up to $\varnothing 5$ mm P/N 122 150

Polarizing filter attachment for TL P/N 158 500

Articulating arm with 2 x M6 connecting threads P/N 158 345

Holder with M6 thread for slit ringlight $\varnothing_i = 58$ mm, $\varnothing_i = 66$ mm for 4-point ringlight $\varnothing_i = 30$ mm, $\varnothing_i = 66$ mm for flexible light guide $\varnothing = 12$ mm, $\varnothing = 15$ mm P/N 157 430

Base for articulating arm with 3 x M6 connecting threads P/N 158 340

Holder with M6 thread for flexible light guide up to $\varnothing = 5$ mm P/N 158 330
 for flexible light guide $\varnothing = 8$ mm P/N 158 335

Polarization filter for focusing lens, twistable for light guides $\varnothing = 8$ mm P/N 158 206

Focusing lens without filter for light guides $\varnothing = 8$ mm P/N 158 215

Insert filter $\varnothing 28$ mm for fluorescence excitation
 blue $\lambda = 484$ nm P/N 258 313
 green $\lambda = 515$ nm P/N 258 314

Insert filter $\varnothing 28$ mm daylight filter P/N 258 306

Adapter for combi light guide $\varnothing 32$ mm column P/N 158 402

Lighting and Imaging
SCHOTT North America, Inc.
122 Charlton Street
Southbridge, MA 01550
USA

Phone: +1 (508)765-9744
Fax: +1 (508)765-1299
lightingimaging@us.schott.com
www.us.schott.com/lightingimaging

For your local sales contact please visit
www.us.schott.com/lightingimaging/english/contact

SCHOTT
glass made of ideas