



DCR® III Remote Light Source Kit

Adds to the features of the DCR III® by allowing remote operation of the lamp head for energy chain and robot arm applications.



DCR III® Remote Light Source Kit (light source not included)

Standard Features

- Lightweight design - perfect for robotic arm applications.
- Intrinsically rugged design. Simple components in light head allow for operation in potentially harmful environments, while DCR III® power supply remains at a safe distance.
- 10' shielded extension cord allows product to be used in dynamic applications where a fiber optic bundle may fail in time.
- Light source connection includes modulamp nose piece to maintain airflow in the DCR® III power supply.
- CSA approved to UL spec, CE compliant for 2001 initiatives.
- Quiet rear exhaust fan.
- Modulamp® not included.
- This product is not compatible with the DCR® or DCR® II light sources.
- Made in USA.

Universal Light Source

For applications where DC power is already available and the need for an economical light source exists.



Universal Lightsource

Standard Features

- Many of the same functional features as the Remote Light Source Kit.
- Includes Modulamp®.
- Connectors are included.
- Power cable supplied by customer.
- Will accept any MR-16 halogen lamp up to 150W/21V.
- Made in USA.

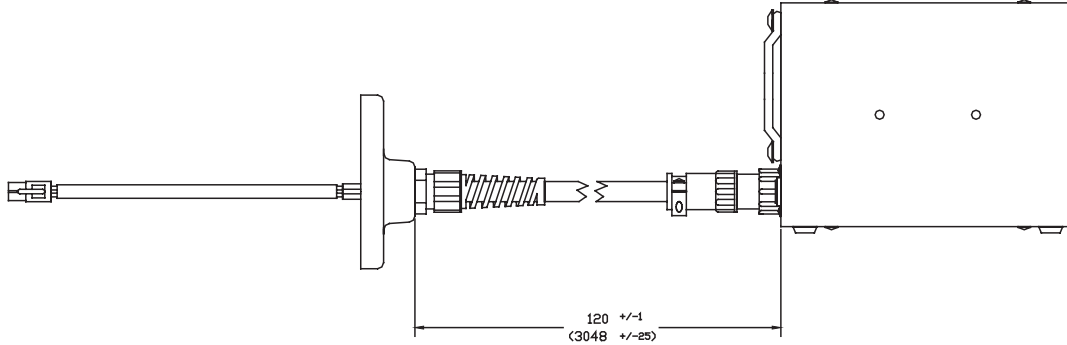
LIGHT SOURCE ACCESSORIES

Light Source Accessories	
Part No.	Description
A20850	DCR® III Remote Light Source Kit
A20855	Universal Light Source

DCR III® Remote Light Source Kit

Dimensions in () are in mm

A20850

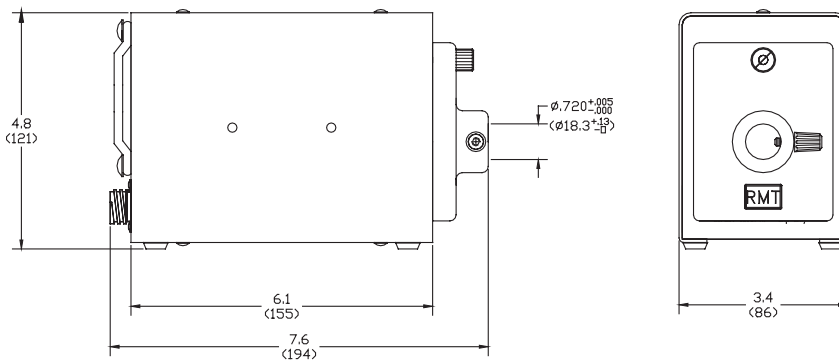


TECHNICAL SPECIFICATIONS

Universal Light Source

Dimensions in () are in mm

A20855



Input: 0 – 21 VDC

SCHOTT GLAS

Fiber Optics Division
P.O. Box 2480
55014 Mainz
Germany
Phone: +49(0) 61 31 / 66-0
Fax: +49(0) 61 31 / 66-7705
E-mail: fiber.optics@schott.com
www.schott.com/fiberoptics

SCHOTT FOSTEC

62 Columbus Street
Auburn, NY 13021
USA
Phone: +1 315 / 255-2791
Fax: +1 315 / 255-2695
E-mail: schott-fostec@us.schott.com
www.us.schott.com/fiberoptics
A Division of Schott North America, Inc.

SCHOTT